



6+



14



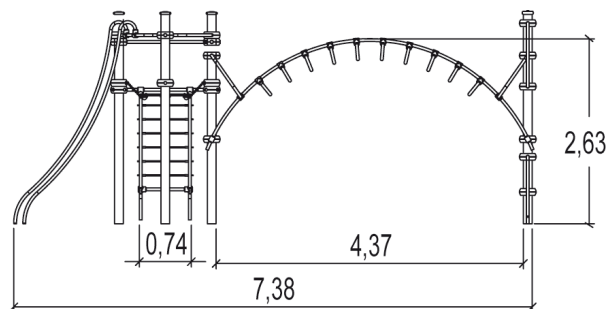
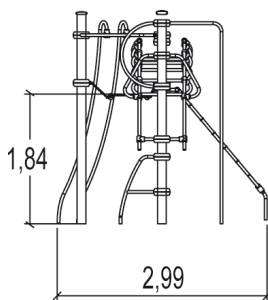
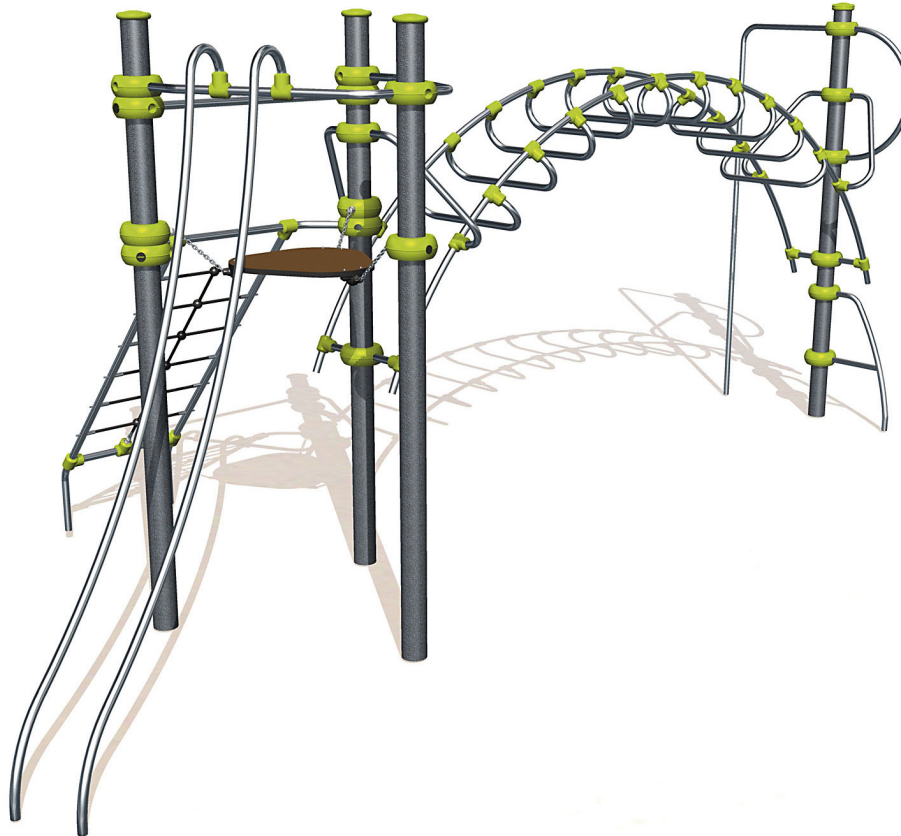
2,4m



1 = 7,43m
2 = 2,99m
3 = 3m



Motor inclusion
Sensory inclusion
Mental inclusion



Play value : **9**

sliding



x2

meeting



x1

hanging



x1

balancing



x1

climbing



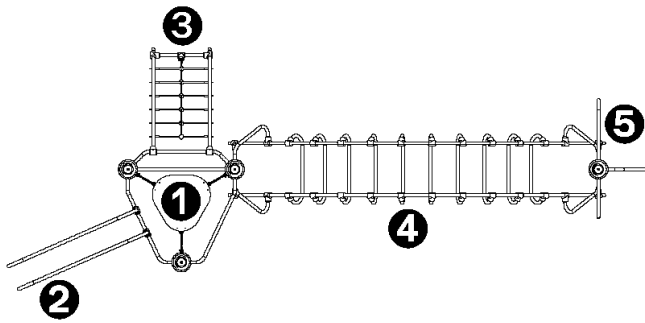
x3

getting across



x1

Components

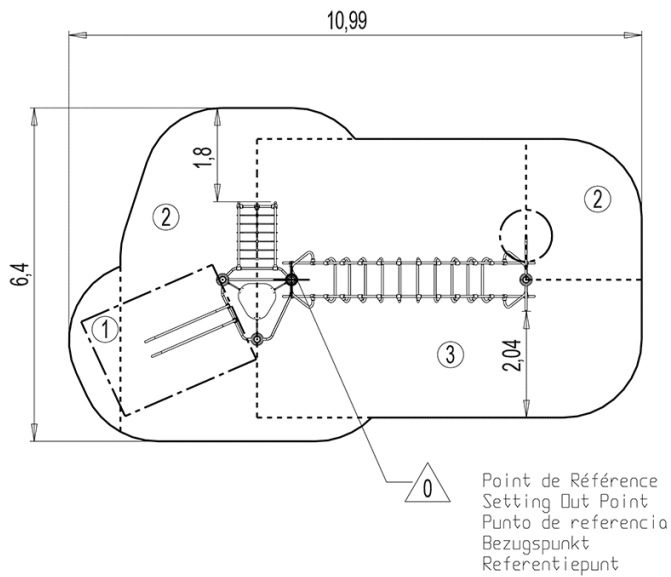


- 1 Tour Delta
- 2 Speed slide
- 3 Delta Incline net
- 4 Great arch
- 5 Parrot mast

Installation of equipment

Impact area =

- Impact area
- Free space



1	0,6m	2m ²
2	1,95m	23m ²
3	2,4m	33m ²



2



16h00



0.4m³



58m²



193kg



54kg

EN

1176