


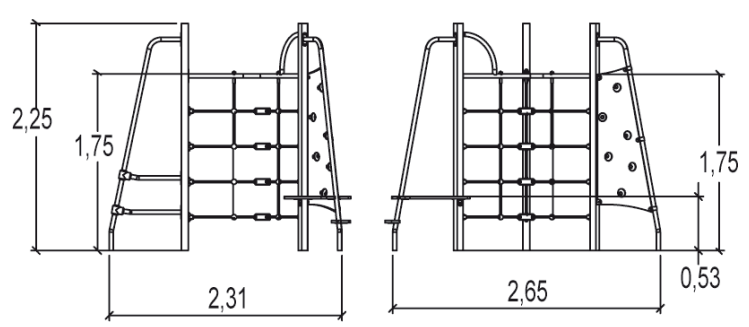
 **3+**
 **10**
 **2,1m**






 1 = 2,73m
 2 = 2,39m
 3 = 2,25m



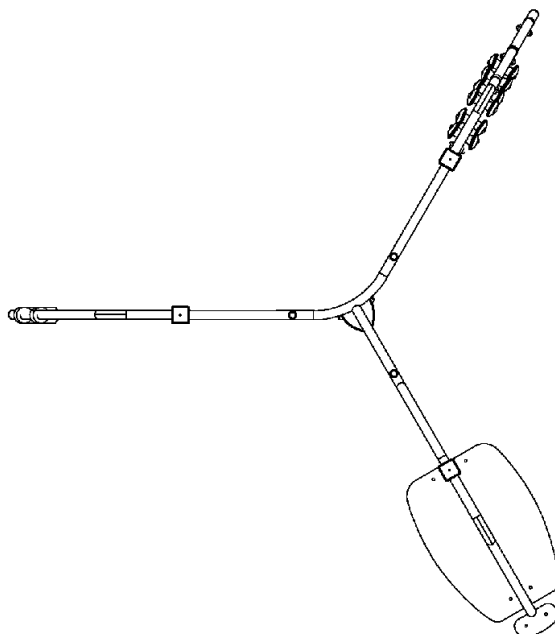
Motor inclusion
 Sensory inclusion
 Mental inclusion



Play value : **3**

climbing	meeting	balancing
		
x1	x1	x1

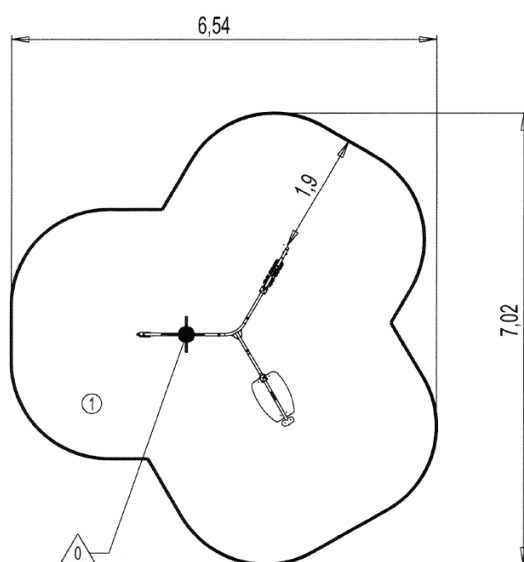
Components





Installation of equipment

Impact area =

-  Impact area
-  Free space



Point de Référence
Setting Out Point
Punto de referencia
Bezugspunkt

		
1	2,1m	32,5m ²



2



02h00



0.2m³



32.5m²



115kg



18kg

