



2+



16



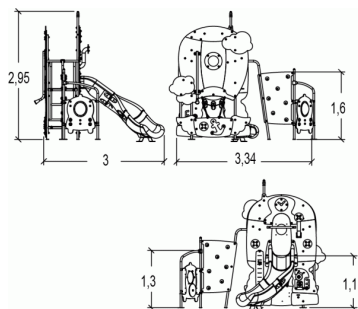
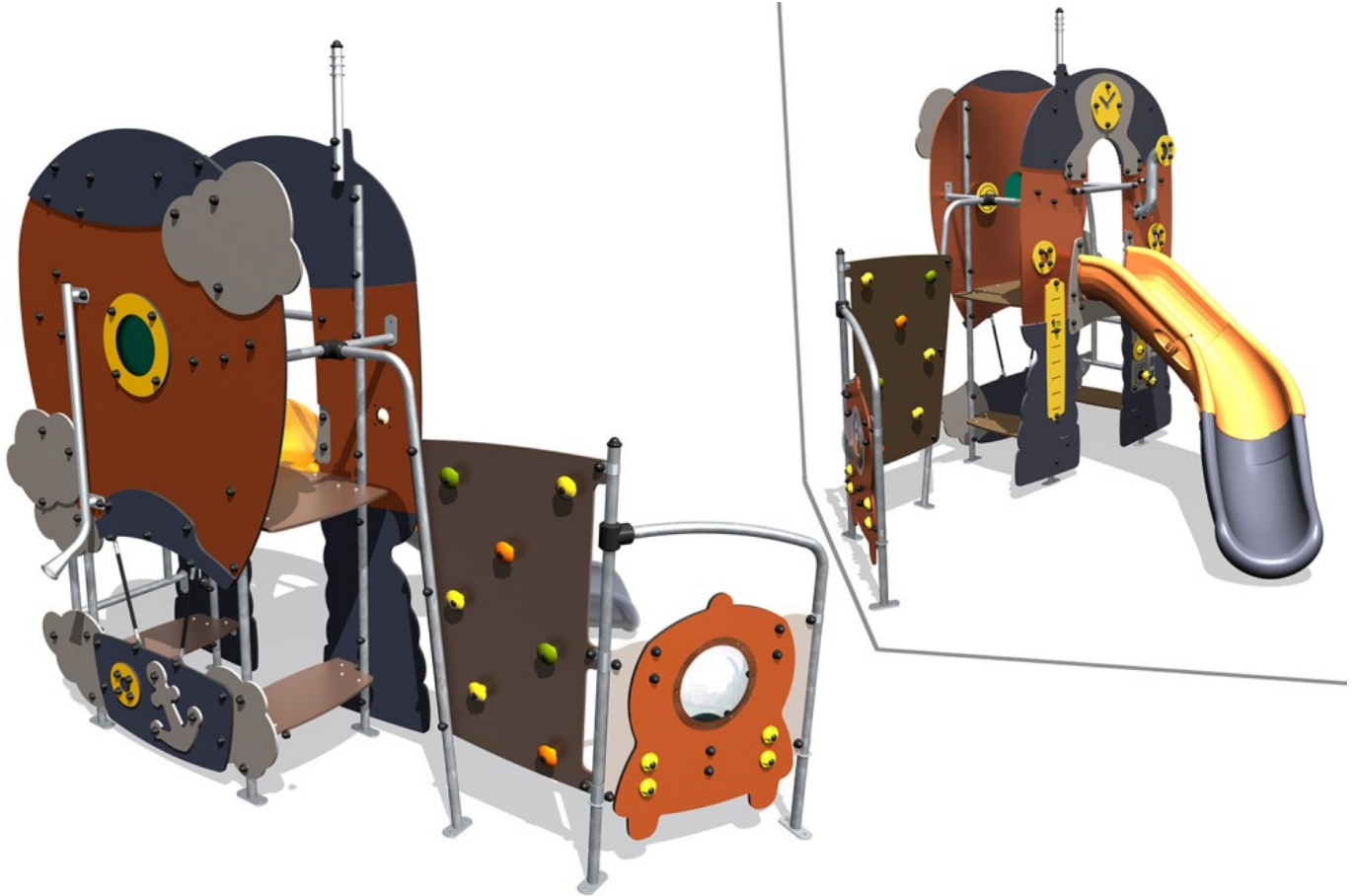
1,8m



1 = 3,34m
2 = 3m
3 = 2,95m



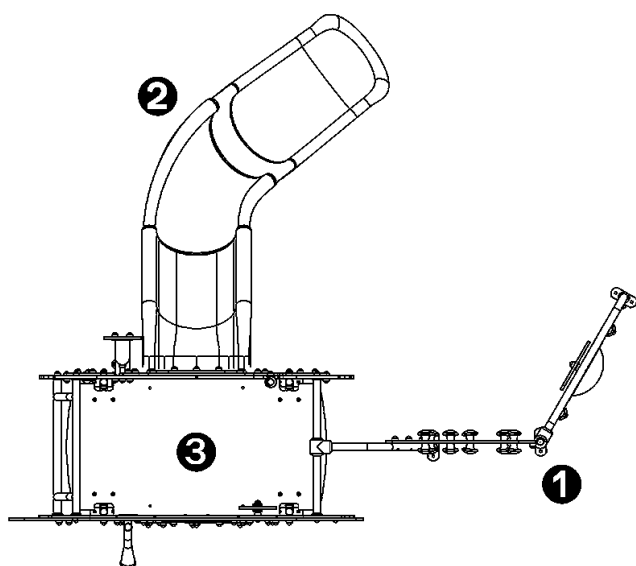
Physical inclusion
Sensory inclusion
Cognitive inclusion



Play value : **14**

climbing	role play	sliding	meeting	resting	handling	hiding	sound stimulation
x1	x2	x1	x2	x1	x1	x1	x1
tactile stimulation	visual stimulation	climbing					
x1	x2	x1					

Components

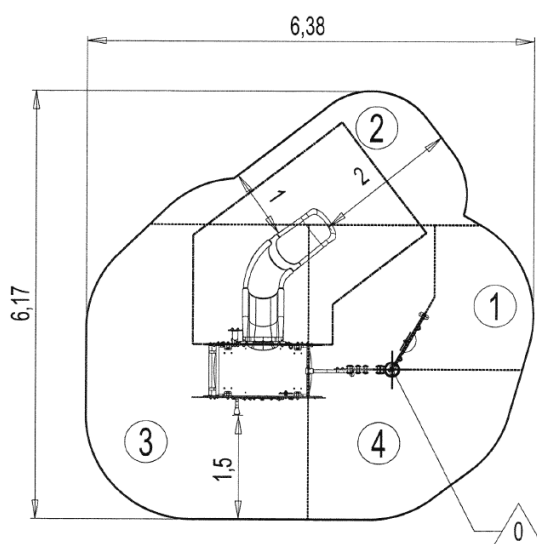


- ❶ Cockpit panel
- ❷ Polyethylene slide Ht : 117cm
- ❸ Platform Ht : 1.17m-1.8m

Installation of equipment

IMPORTANT: It is essential to refer to the installation instructions for information on the size of the safety areas.

- Impact area (minimum normative surface)
- Free space



Point de Référence
Setting Out Point
Punto de referencia
Bezugspunkt
Referentiepunt



1	0,6m	3m ²
2	1m	5,5m ²
3	1,17m	12,5m ²
4	1,8m	9m ²



2

08h00

0.3m³

30m²

331kg

20kg

EN

1176