



2+



5



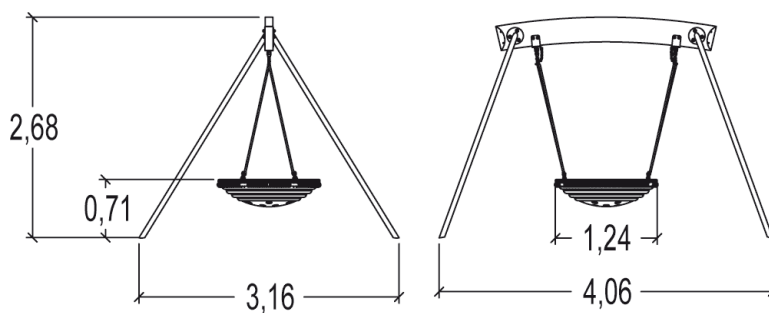
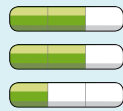
1,55m



1 = 4,06m 2 = 3,16m 3 = 2,68m



Motor disabilities  
 Sensorial disabilities  
 Learning disabilities



Play value : 3

swinging

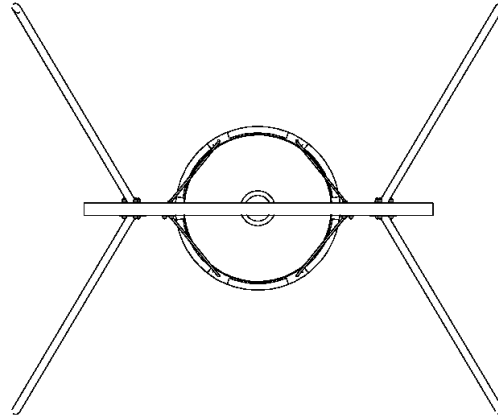


meeting



resting

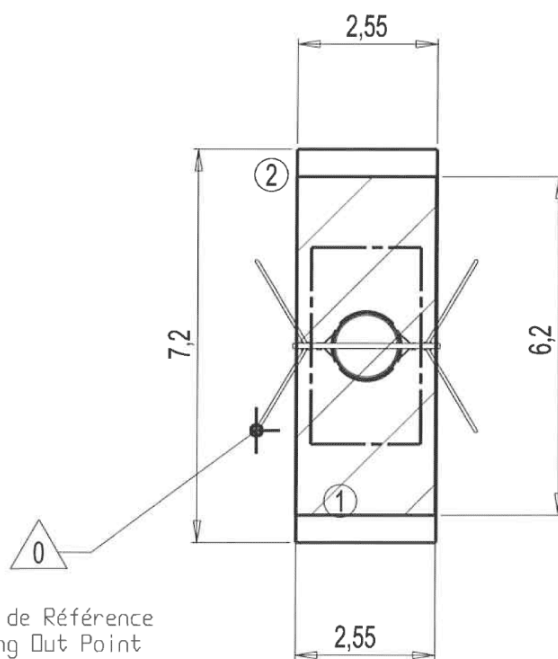






## Installation of equipment

Impact area =

-  Impact area
-  Free space



Point de Référence  
Setting Out Point  
Punto de referencia  
Bezugspunkt

		
1	1,55m	16m <sup>2</sup>
2	1,55m	21m <sup>2</sup>



2



04h00



1.5m<sup>3</sup>



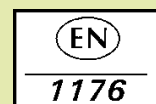
16m<sup>2</sup>



160kg



42kg



2015-02-10