



2+



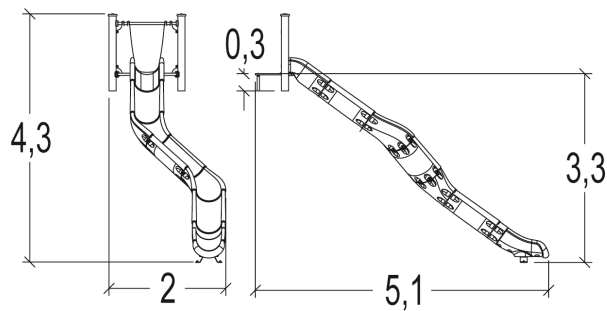
3



1m



1 = 5,12m 2 = 2,05m 3 = 4,84m



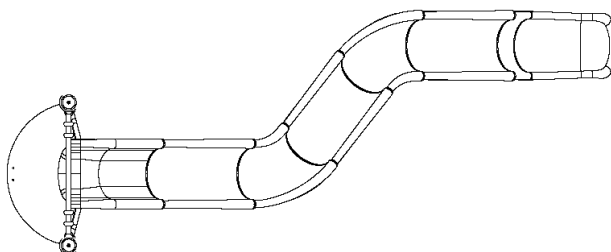
### Play value

sliding



meeting / role play

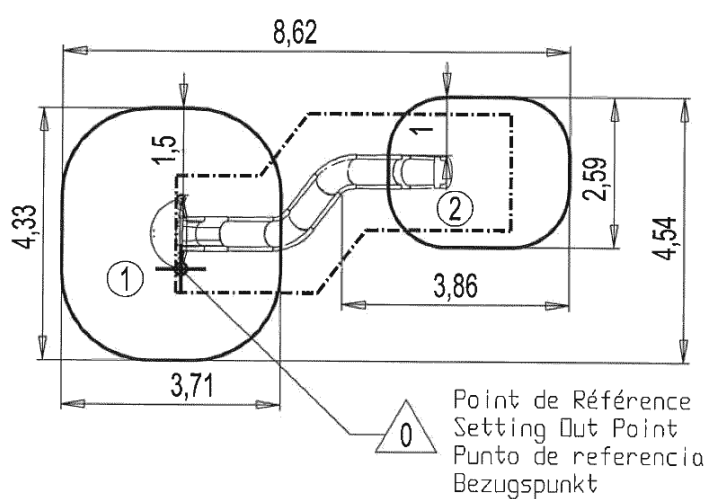






## Installation of equipment

Impact area =

-  Impact area
-  Free space



		
1	<0,6m	14,5m <sup>2</sup>
2	1m	7,5m <sup>2</sup>



2



06h00



0.3m<sup>3</sup>



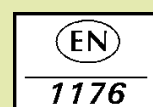
22m<sup>2</sup>



189kg



20kg



*Proludic*

2009-12-21