



2+



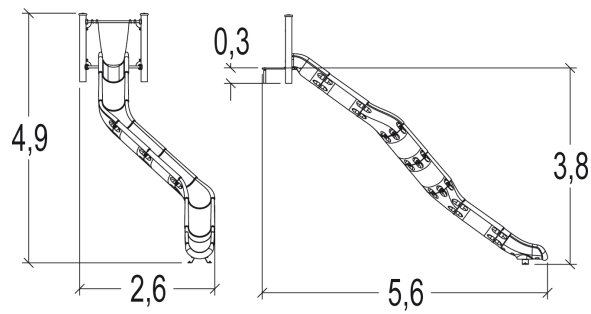
3



1m



1 = 5,6m 2 = 2,7m 3 = 5,4m



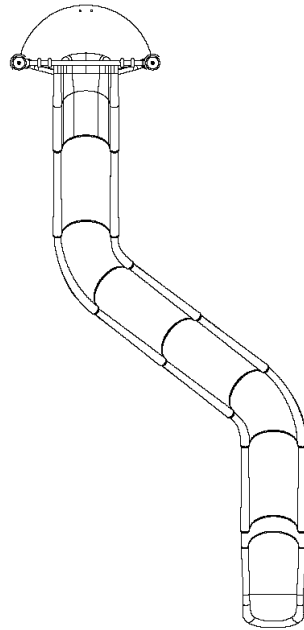
Play value

sliding





meeting / role
play

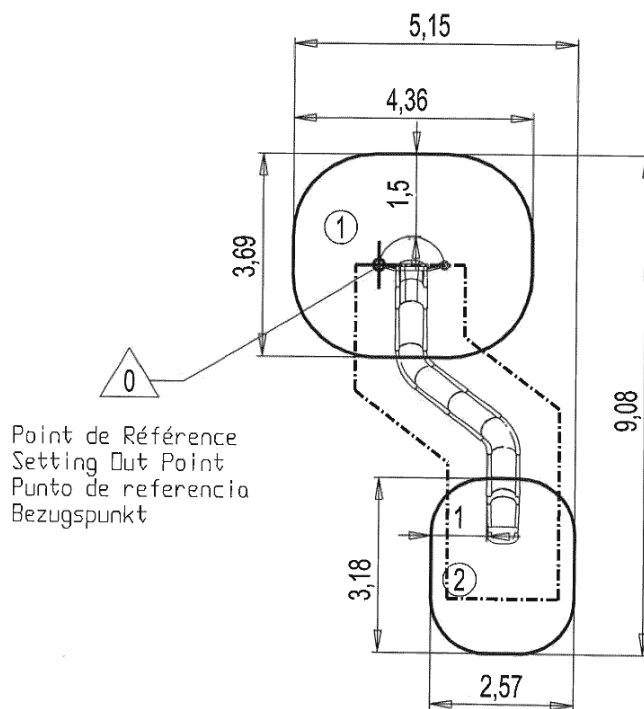






Installation of equipment

Impact area =

-  Impact area
-  Free space



		
1	<0,6m	14,5m ²
2	1m	7,5m ²



2



06h00



0.3m³



22m²



207kg



20kg



Proludic

2009-12-21