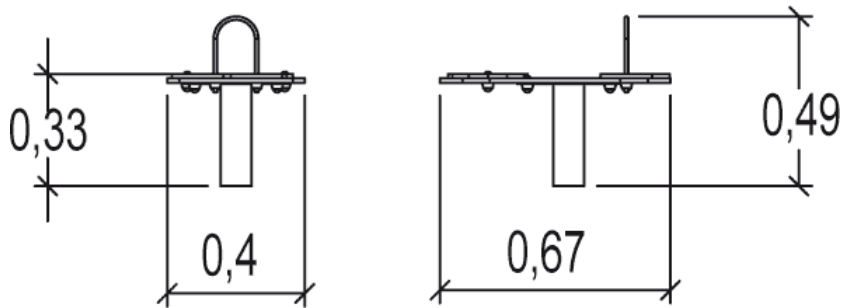
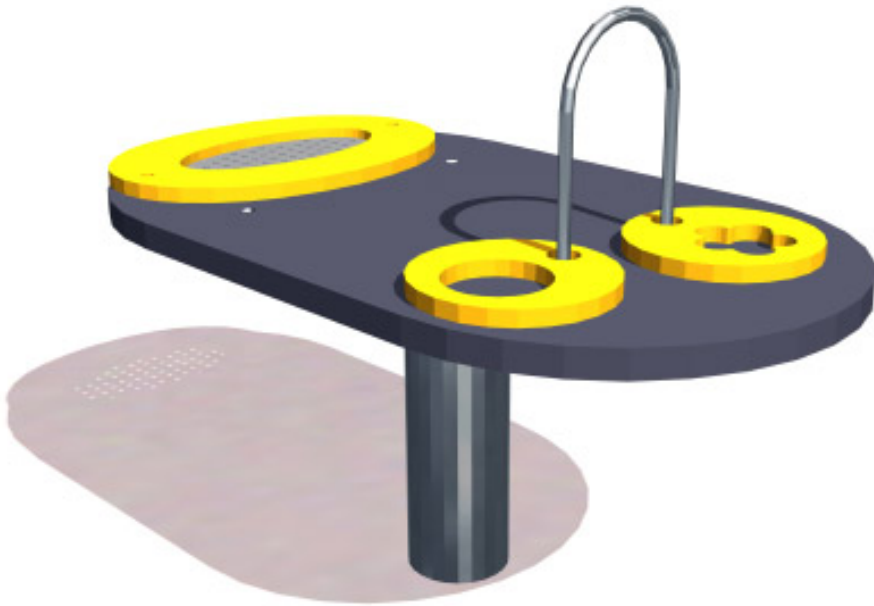




**1+** | **5** | **0m** | **1 = 0,7m 2 = 0,5m 3 = 0,6m**



**Play value**

meeting / role play 

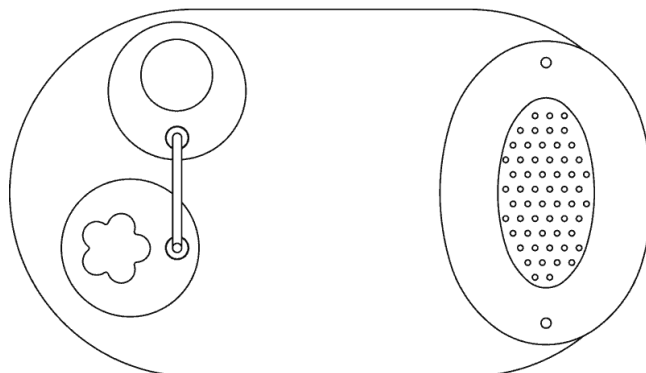
handling 

**Accessibility**

 Motor disability

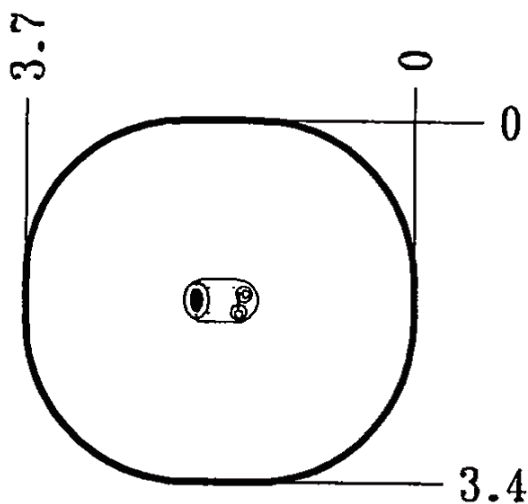
 Sensorial Disabilities

 Learning Disabilites



## Installation of equipment

Impact area =  
 ————— Impact area  
 - - - - - Free space



1	0m	11m <sup>2</sup>