



1+



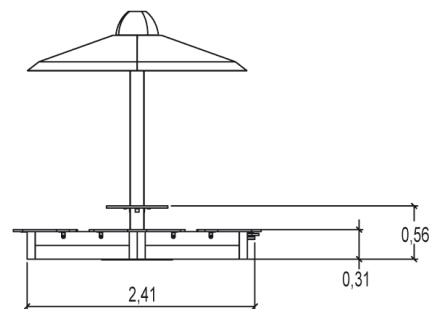
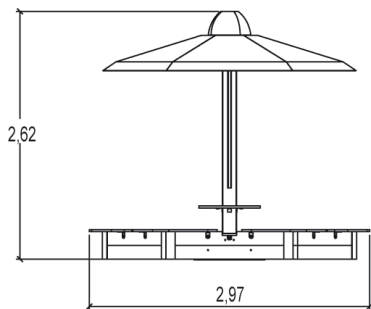
10



0,6m



1 = 3m 2 = 2,5m 3 = 2,7m



## Play value

meeting / role play



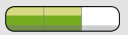
handling



## Accessibility



Motor disability

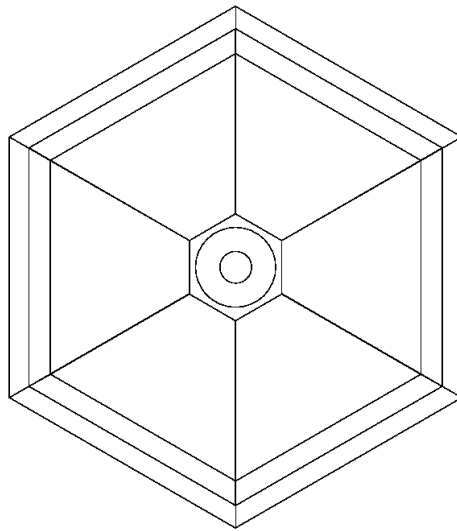


Sensorial Disabilities



Learning Disabilites

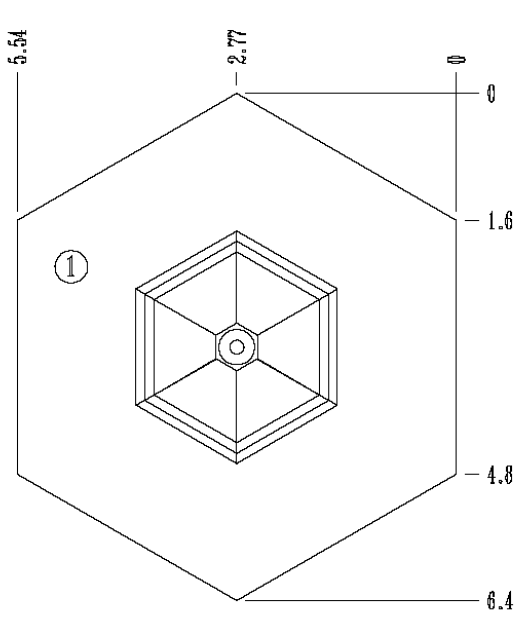












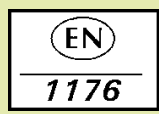

## Installation of equipment

Impact area =

-  Impact area
-  Free space



		
1	0,00m	27,5m <sup>2</sup>

							
2	10h00	0.6m <sup>3</sup>	27.5m <sup>2</sup>	283kg	140kg		2013-02-15