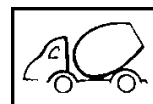
 **1=20m 2=10.35m 3=3.8m**



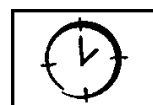
**INSTALLATION**



**3.4m<sup>3</sup>**

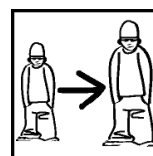


**3**



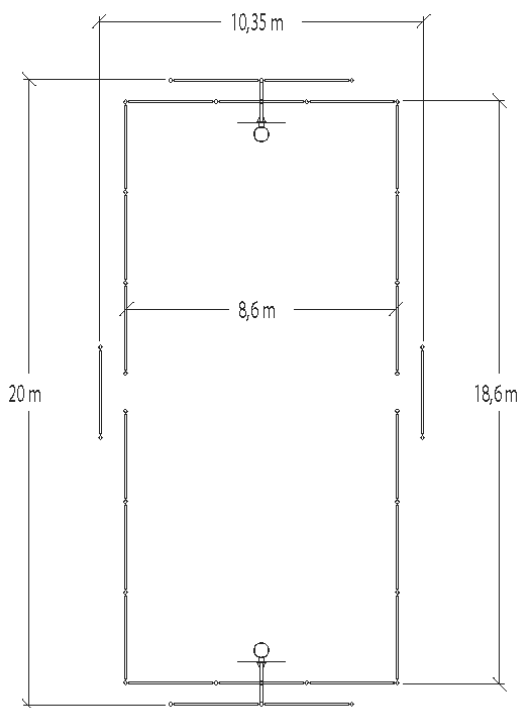
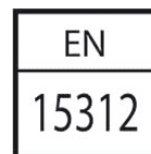
**19h00**

**OTHER INFORMATION**



**6+**

**CERTIFICATIONS**



**Kaal = 2543 kg**

**Raskeim detail = 55 kg**