



6+



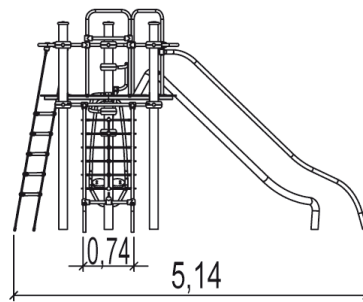
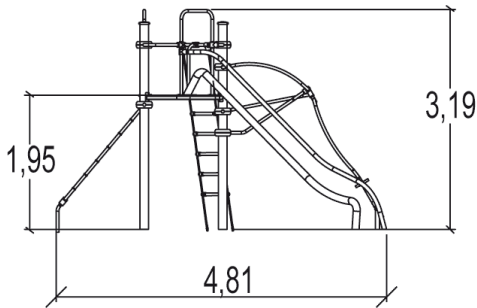
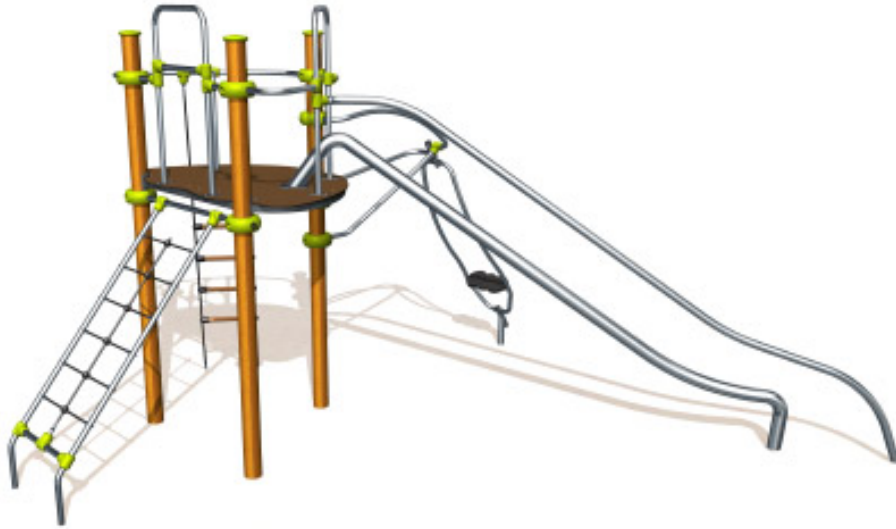
11



1,95m



1 = 5,14m 2 = 4,81m 3 = 3,2m



Play value

sliding



x1

rotating



x1

climbing



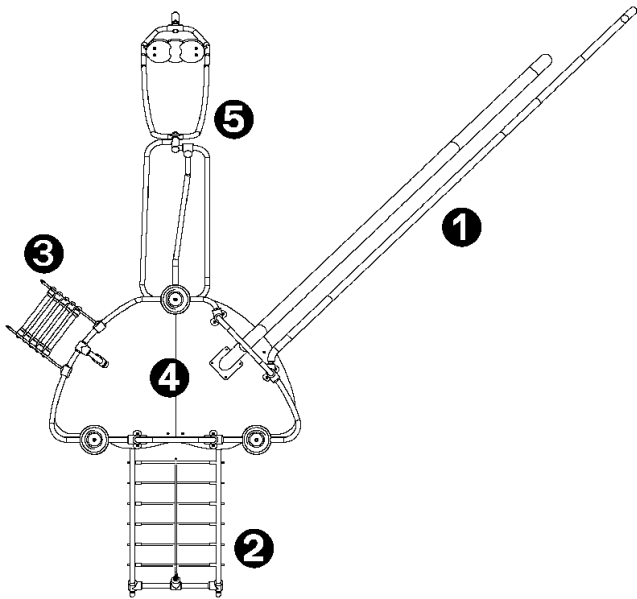
x2

meeting / role play



x1

Number of play elements: 5

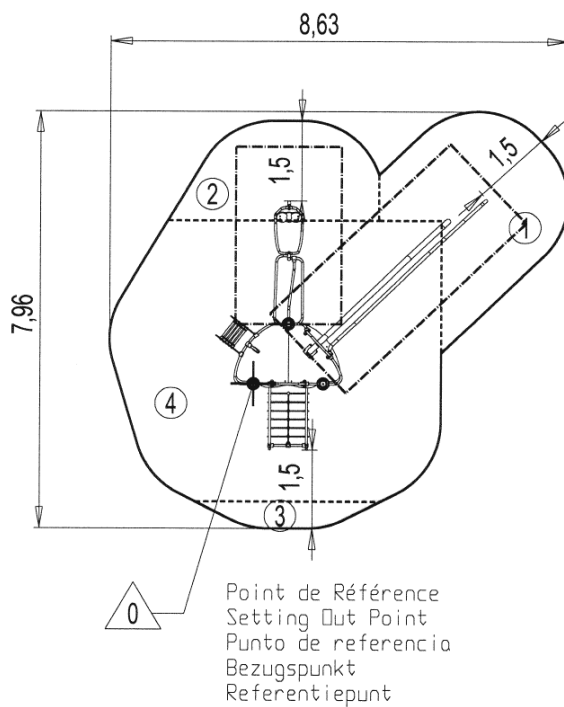


- ① Turbo Slide - G2516
- ② Incline net - G2519
- ③ Rope ladder - G2523
- ④ Epsilon Tower - G2513
- ⑤ Gyro - G2515

Installation of equipment

Impact area =

- Impact area
- Free space



1	0,60m	9,5m ²
2	0,70m	6m ²
3	1,00m	1,5m ²
4	1,95m	31m ²



2



14h30



0.43m³



48m²



321kg



50kg



Proludic

2012-10-09