



6+



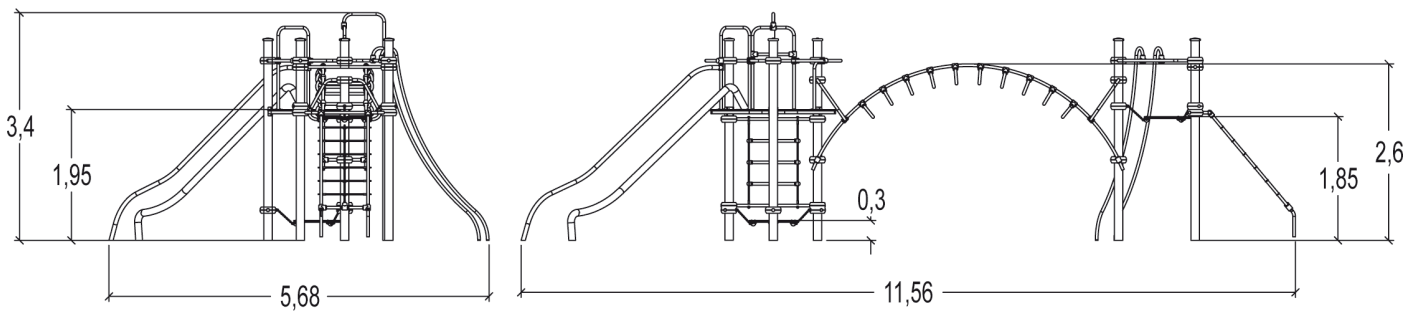
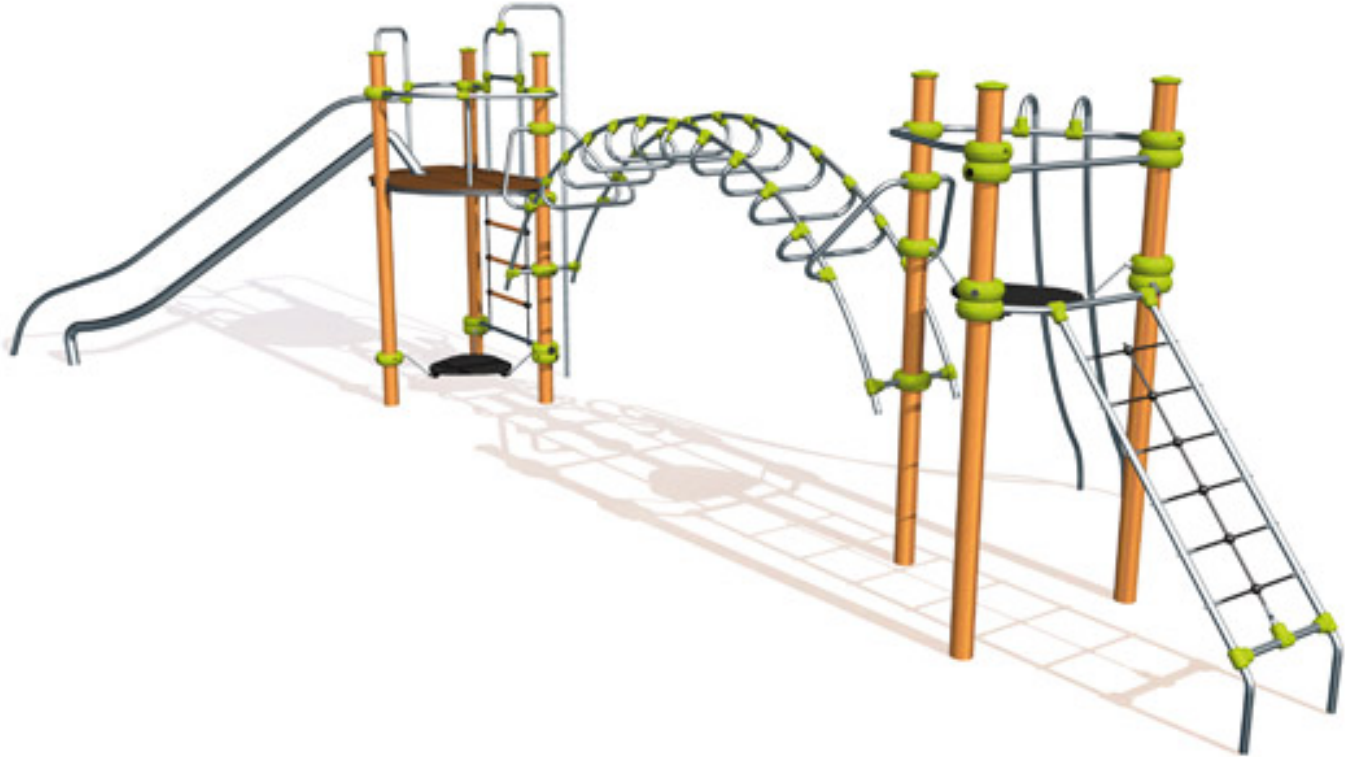
20



2,4m



1 = 11,56m 2 = 5,66m 3 = 3,4m



### Play value

sliding



x3

hanging



x1

climbing



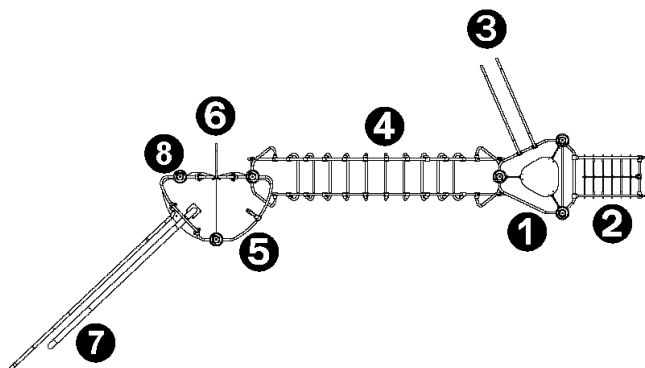
x1

meeting / role play



x3

Number of play elements: 8

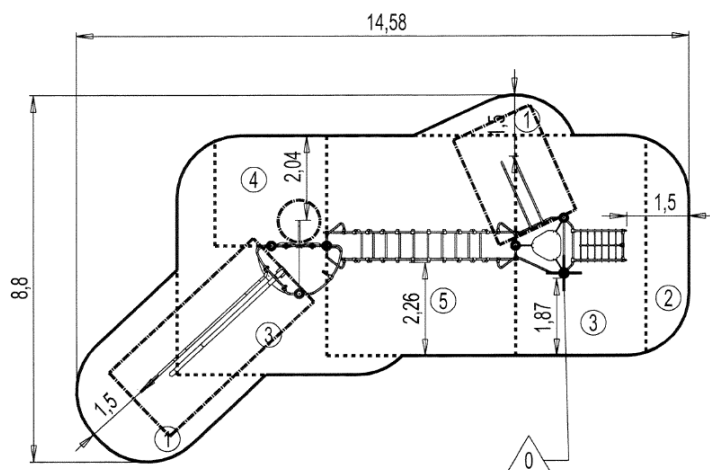


- 1 Delta tower - G2505
- 2 Incline net - G2519
- 3 Speed slide - G2527
- 4 Great arch - G2514
- 5 Epsilon Tower - G2513
- 6 Fireman's pole - G2524
- 7 Turbo Slide - G2516
- 8 Suspended platform - G2528

## Installation of equipment

Impact area =

- Impact area
- Free space



Point de Référence  
Setting Out Point  
Punto de referencia  
Bezugspunkt  
Referentiepunt



1	0,6m	12m <sup>2</sup>
2	1m	5m <sup>2</sup>
3	1,95m	30m <sup>2</sup>
4	2,2m	7m <sup>2</sup>
5	2,4m	24m <sup>2</sup>



2



18h45



0.6m<sup>3</sup>



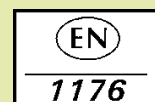
78m<sup>2</sup>



533kg



54kg



*Proludic*

2012-10-09