



6+



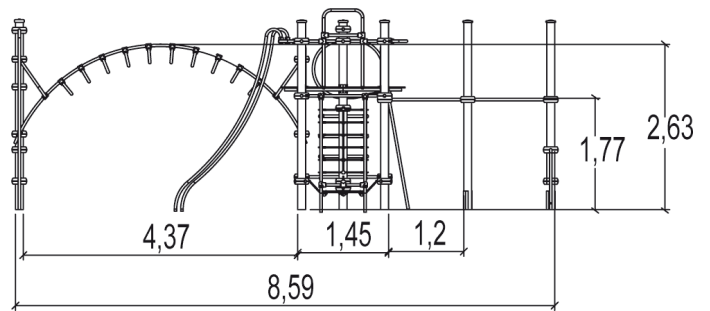
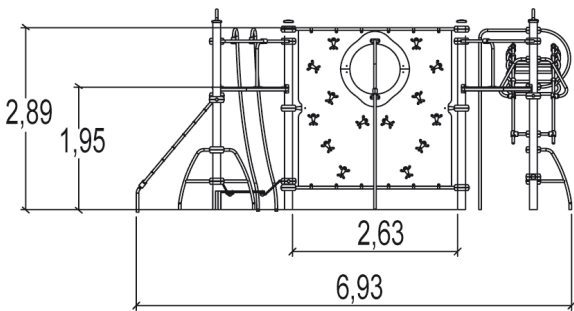
22



2,9m



1 = 8,72m 2 = 6,94m 3 = 3,2m



Play value

climbing



x1

sliding



x1

hanging



x2

climbing



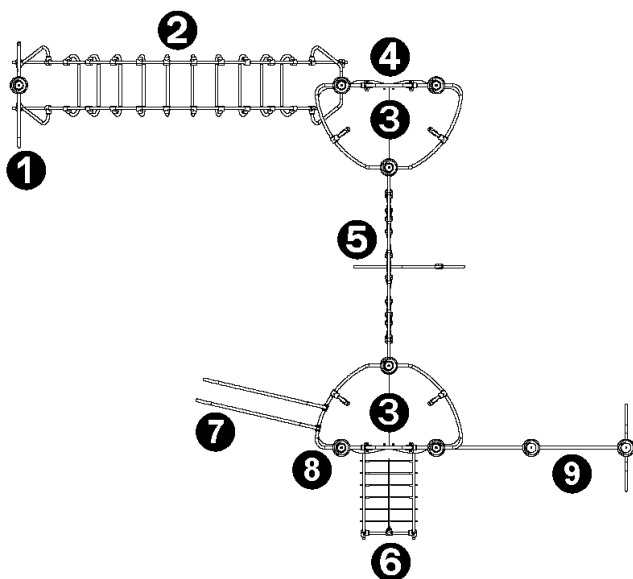
x3

meeting / role play



x2

Number of play elements: 9

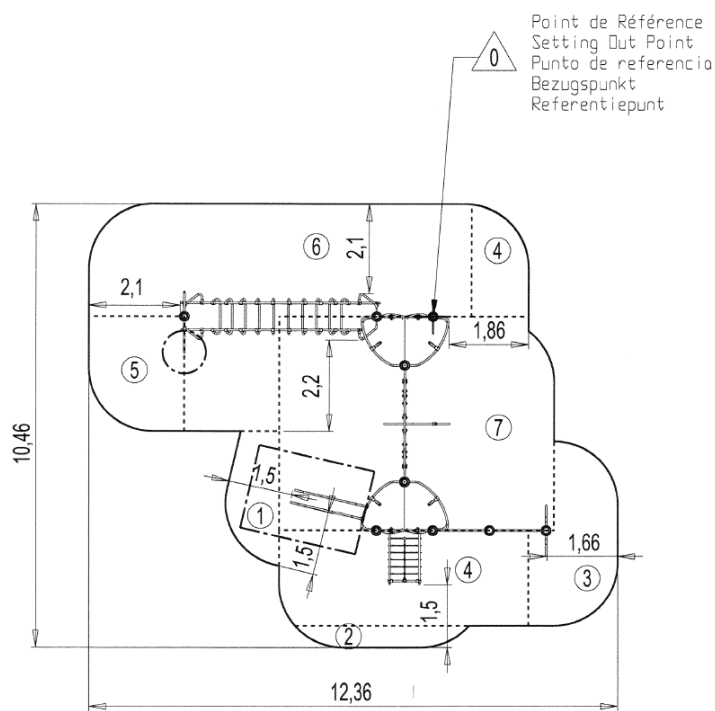


- 1 Parrot mast - G2501
- 2 Great arch - G2514
- 3 Gamma tower - G2503
- 4 Straight ladder - G2520
- 5 Climbing wall - G2510
- 6 Incline net - G2519
- 7 Speed slide - G2527
- 8 Suspended platform - G2528
- 9 Horizontal bar - G2512

## Installation of equipment

Impact area =

- Impact area
- Free space



1	0,6m	3,5m <sup>2</sup>
2	1m	2m <sup>2</sup>
3	1,75m	7m <sup>2</sup>
4	1,95m	16,5m <sup>2</sup>
5	2m	5,5m <sup>2</sup>
6	2,4m	29,5m <sup>2</sup>
7	2,9m	32,5m <sup>2</sup>



2



15h00



0.5m<sup>3</sup>



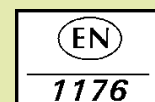
96.5m<sup>2</sup>



788kg



54kg



*Proludic*

2012-10-09