



6+



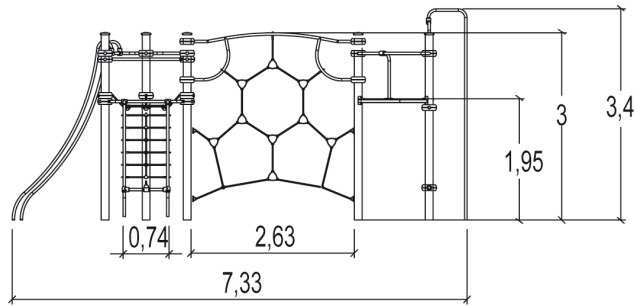
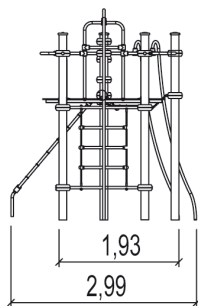
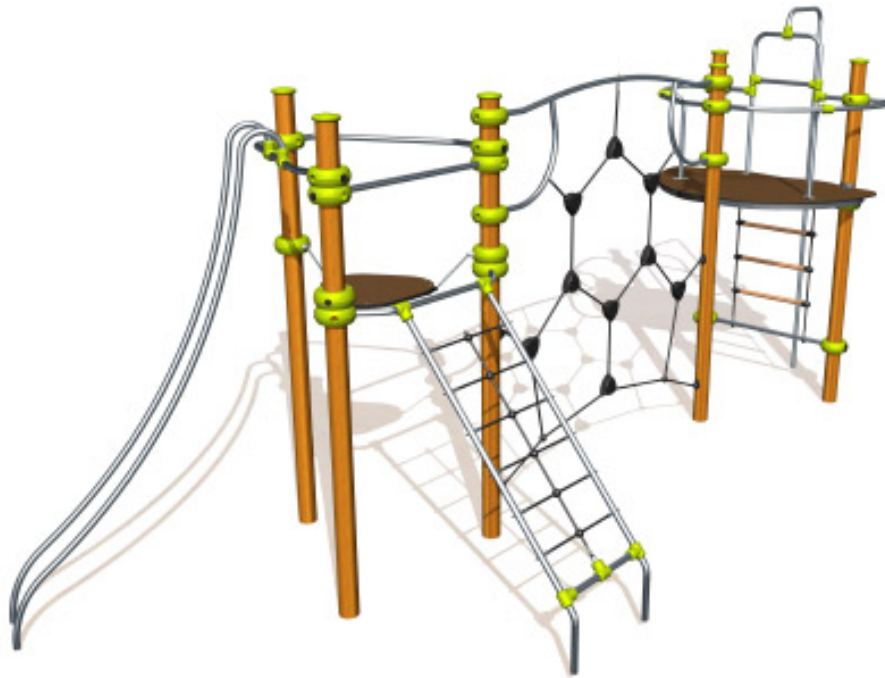
20



3m



1 = 7,32m 2 = 3m 3 = 3,4m



Play value

sliding



x2

climbing



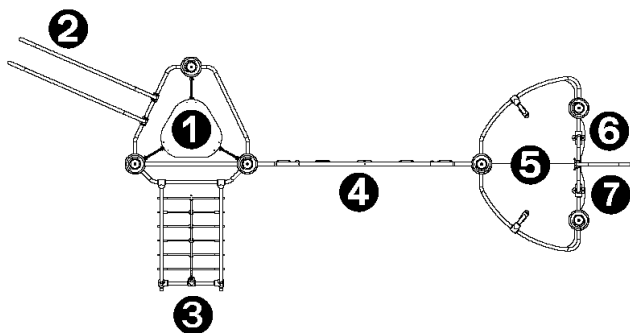
x3

meeting / role play



x2

Number of play elements: 7

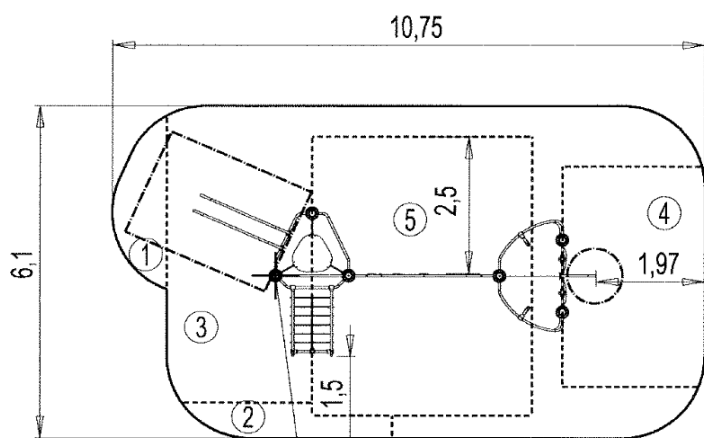


- ① Delta tower - G2505
- ② Speed slide - G2527
- ③ Delta Incline net - G2521
- ④ Net IXO - G2533
- ⑤ Gamma tower - G2503
- ⑥ Straight ladder - G2520
- ⑦ Fireman's pole - G2524

Installation of equipment

Impact area =

- Impact area
- Free space



0 Point de Référence
Setting Out Point
Punto de referencia
Bezugspunkt
Referentiepunt

1	0,6m	2,5m ²
2	1m	2m ²
3	1,95m	25,5m ²
4	2,2m	10,5m ²
5	3m	20,5m ²



2



20h00



0.72m³



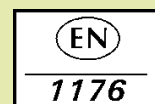
61m²



394kg



20kg



Proludic

2012-10-09