



6+



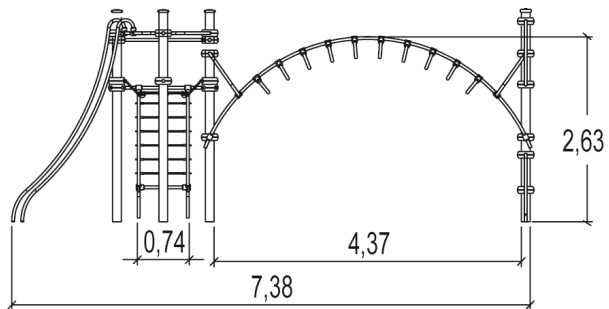
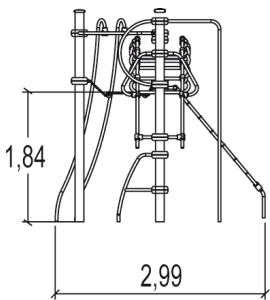
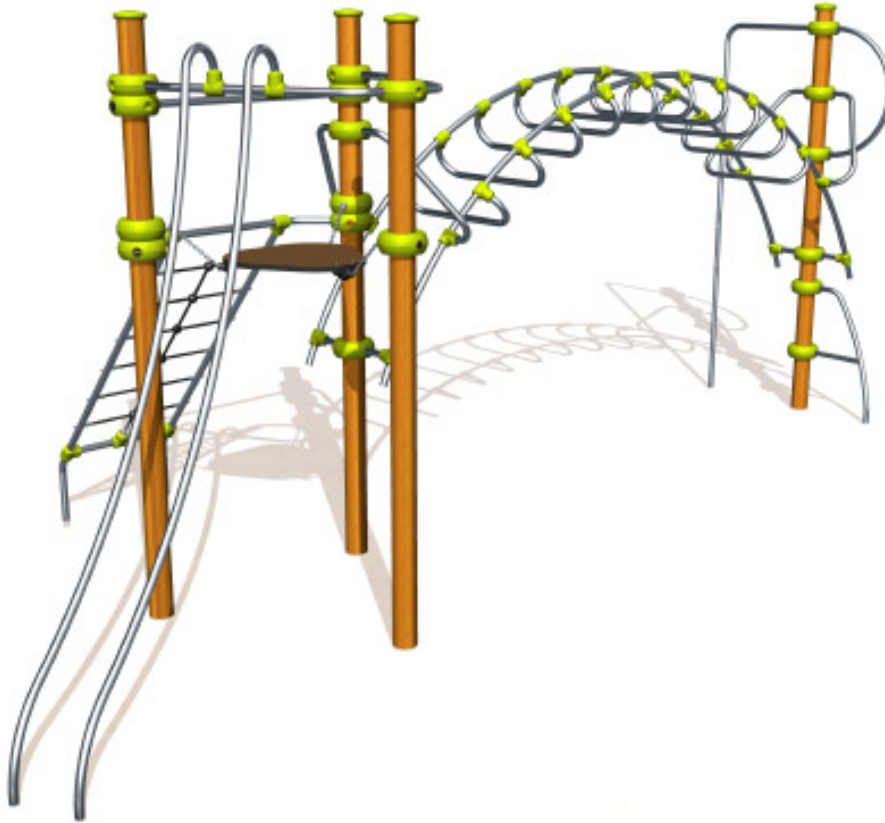
14



2,4m



1 = 7,43m 2 = 2,79m 3 = 3m



Play value

sliding



x1

hanging



x1

climbing



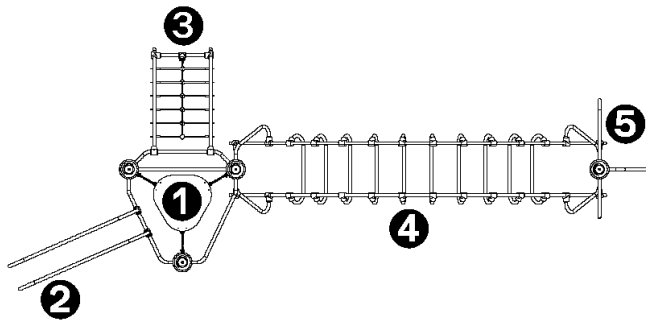
x2

meeting / role play



x1

Number of play elements: 5

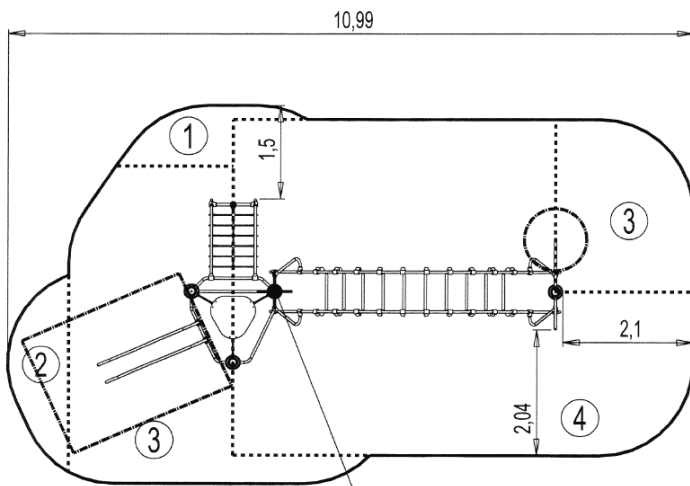


- ❶ Delta tower - G2505
- ❷ Speed slide - G2527
- ❸ Delta Incline net - G2521
- ❹ Great arch - G2514
- ❺ Parrot mast - G2501



Installation of equipment

Impact area =

-  Impact area
-  Free space



Point de Référence
Setting Out Point
Punto de referencia
Bezugspunkt
Referentiepunt

		
1	0,6m	2m ²
2	1m	2,5m ²
3	2m	19,5m ²
4	2,4m	33,5m ²



2



16h00



0.4m³



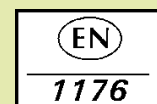
57.5m²



296kg



54kg



Proludic

2012-10-09