



6+



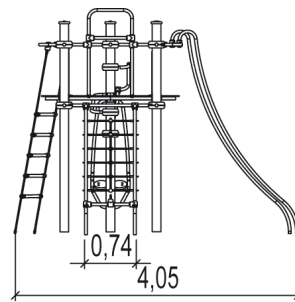
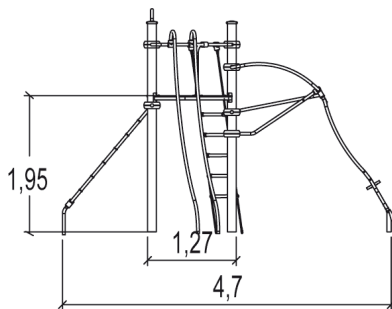
14



1,95m



1 = 4,8m 2 = 4,1m 3 = 3,3m



Play value

sliding



x1

rotating



x1

climbing



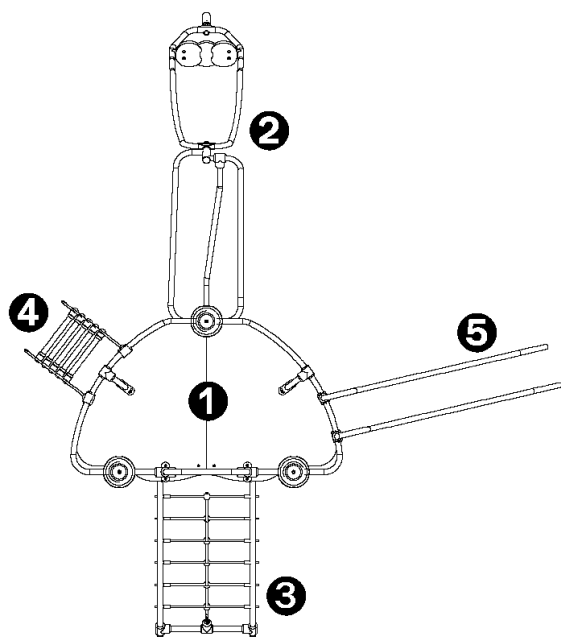
x2

meeting / role play



x1

Number of play elements: 5

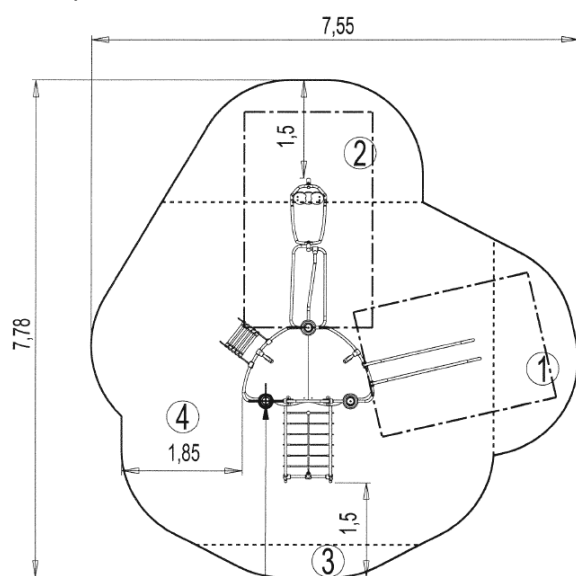


- ❶ Gamma tower - G2503
- ❷ Gyro - G2515
- ❸ Incline net - G2519
- ❹ Rope ladder - G2523
- ❺ Speed slide - G2527

Installation of equipment

Impact area =

- Impact area
- Free space



Point de Référence
Setting Out Point
Punto de referencia
Bezugspunkt
Referentiepunt



1	0,6m	3,5m ²
2	0,7m	6m ²
3	1m	1,5m ²
4	1,95m	30m ²



2



16h00



0.7m³



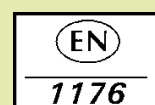
41m²



262kg



20kg



Proludic

2012-10-09