



6+



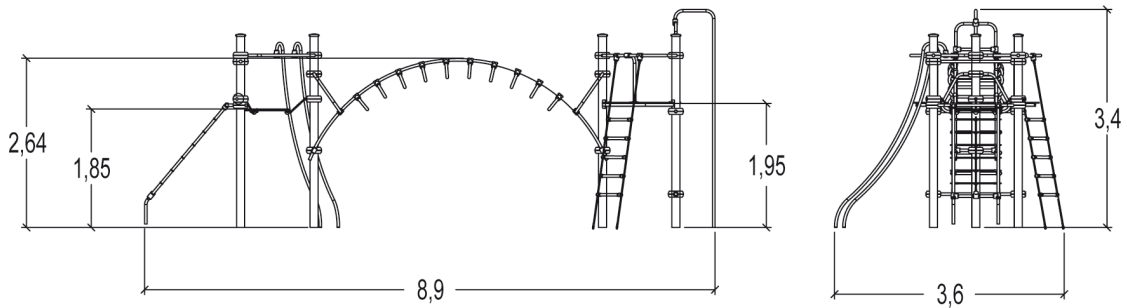
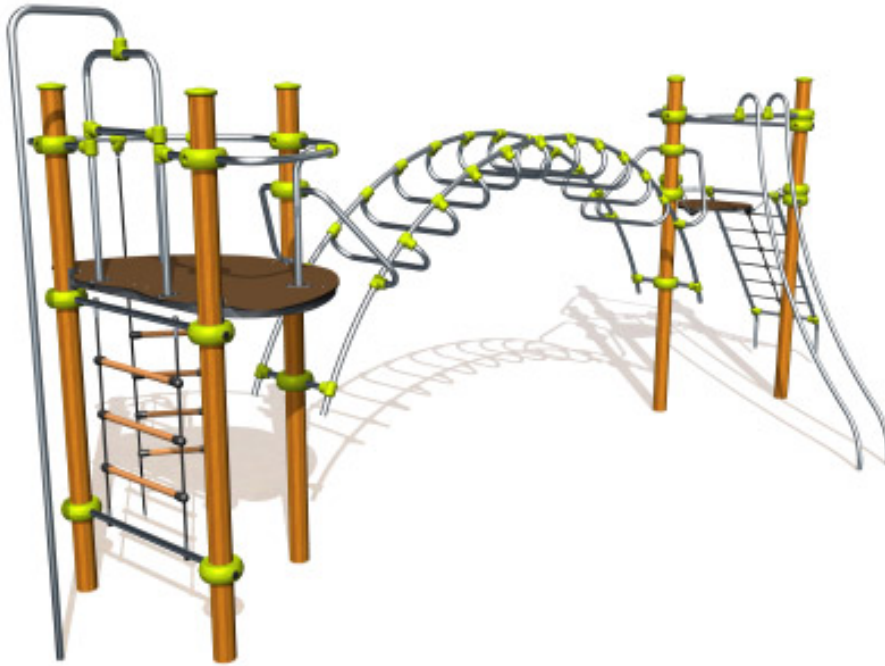
19



2,4m



1 = 8,89m 2 = 3,54m 3 = 3,4m



Play value

sliding



x2

hanging



x1

climbing



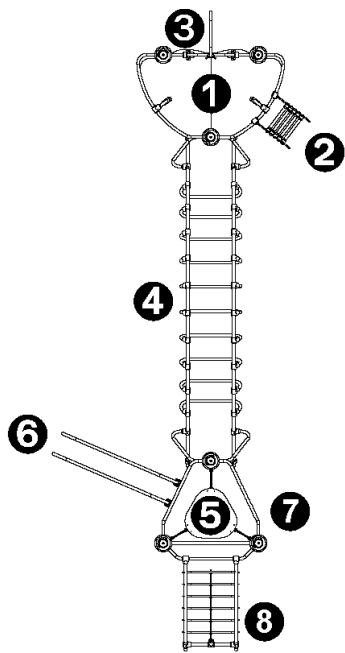
x3

meeting / role play



x2

Number of play elements: 8

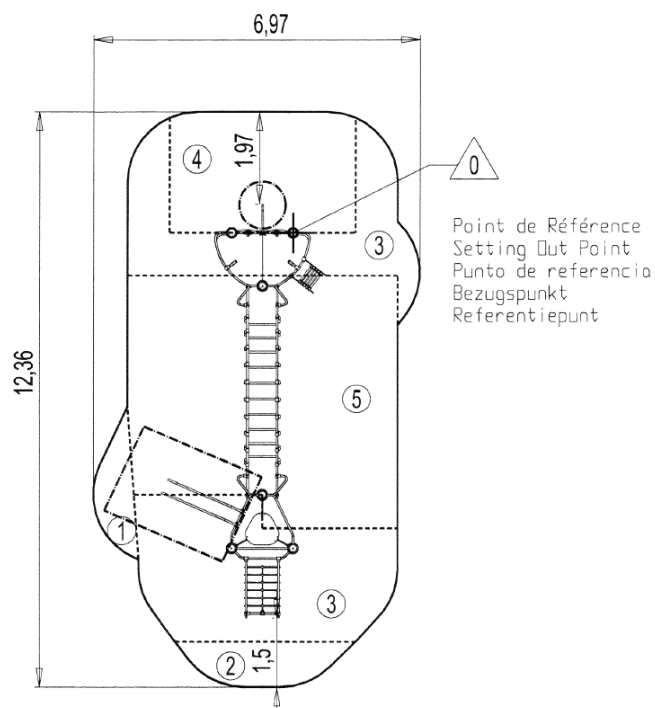


- ① Gamma tower - G2503
- ② Straight ladder - G2520
- ③ Fireman's pole - G2524
- ④ Great arch - G2514
- ⑤ Delta tower - G2505
- ⑥ Speed slide - G2527
- ⑦ Rope ladder - G2523
- ⑧ Delta Incline net - G2521

Installation of equipment

Impact area =

- Impact area
- Free space



1	0,60m	2m ²
2	1,00m	3m ²
3	1,95m	24,5m ²
4	2,2m	10,5m ²
5	2,4m	29,5m ²



2



19h00



0.5m³



69.5m²



447kg



54kg



Proludic

2012-10-09