



6+



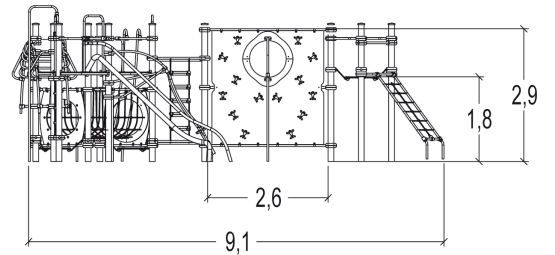
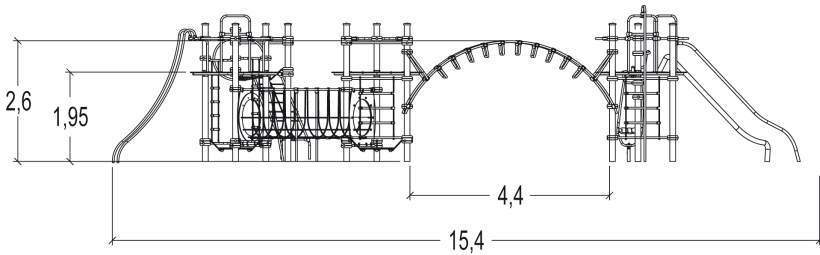
42



2,9m



1 = 15m 2 = 9,41m 3 = 3,4m



Play value

climbing



x1

sliding



x3

hanging



x1

rotating



x1

climbing



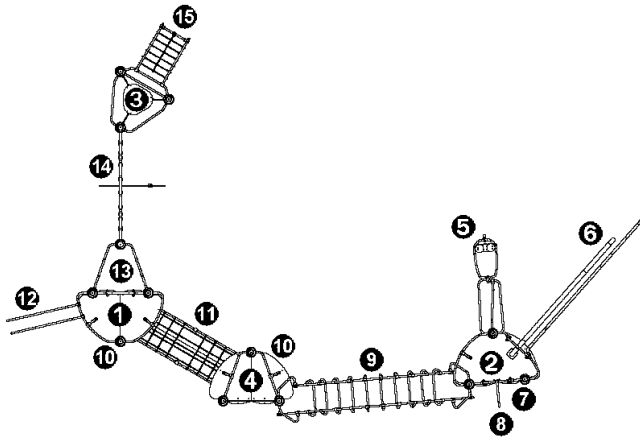
x4

meeting / role play



x5

Number of play elements: 15

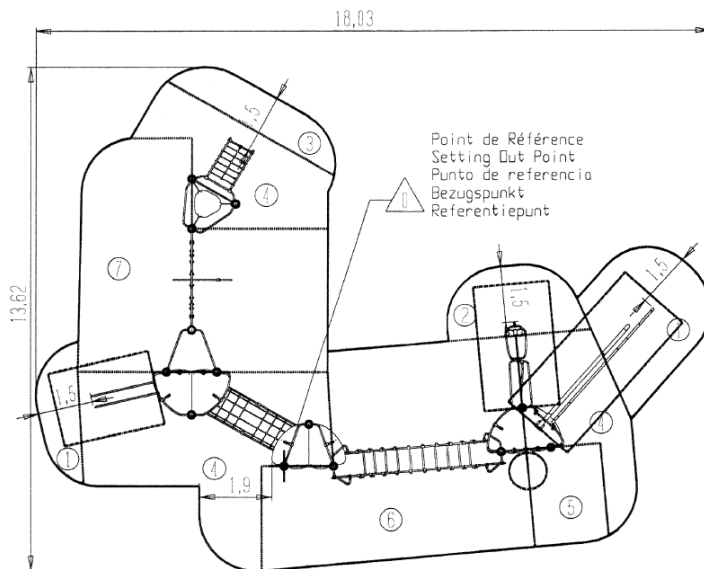


- ❶ Epsilon Tower - G2513
- ❷ Gamma tower - G2503
- ❸ Delta tower - G2505
- ❹ Alfa tower - G2504
- ❺ Gyro - G2515
- ❻ Turbo Slide - G2516
- ❼ Straight ladder - G2520
- ❽ Fireman's pole - G2524
- ❾ Great arch - G2514
- ❿ Suspended platform - G2528
- ⓫ Tunnel - G2507
- ⓬ Speed slide - G2527
- ⓭ Climbing frame - G2522
- ⓮ Climbing wall - G2510
- ⓯ Incline net - G2519

Installation of equipment

Impact area =

- Impact area
- Free space



1	0,60m	14m ²
2	0,70m	6m ²
3	1,00m	4,5m ²
4	1,95m	43,5m ²
5	2,2m	5,5m ²
6	2,4m	35m ²
7	2,9m	32,5m ²



2



52h30



1.1m³



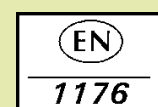
141m²



1260kg



54kg



Proludic

2012-10-09