

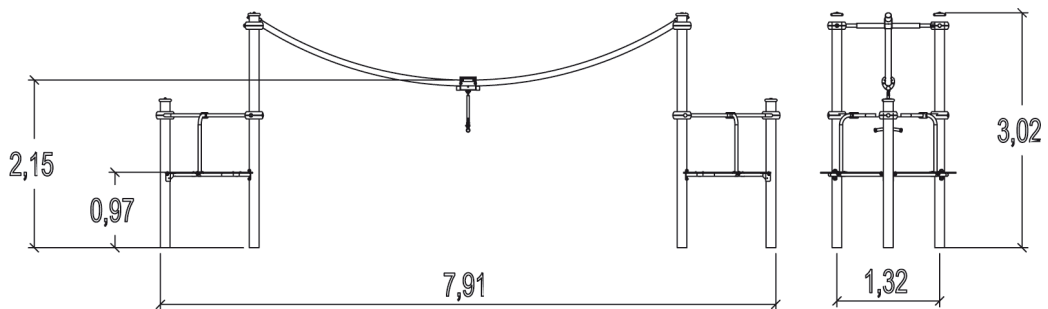
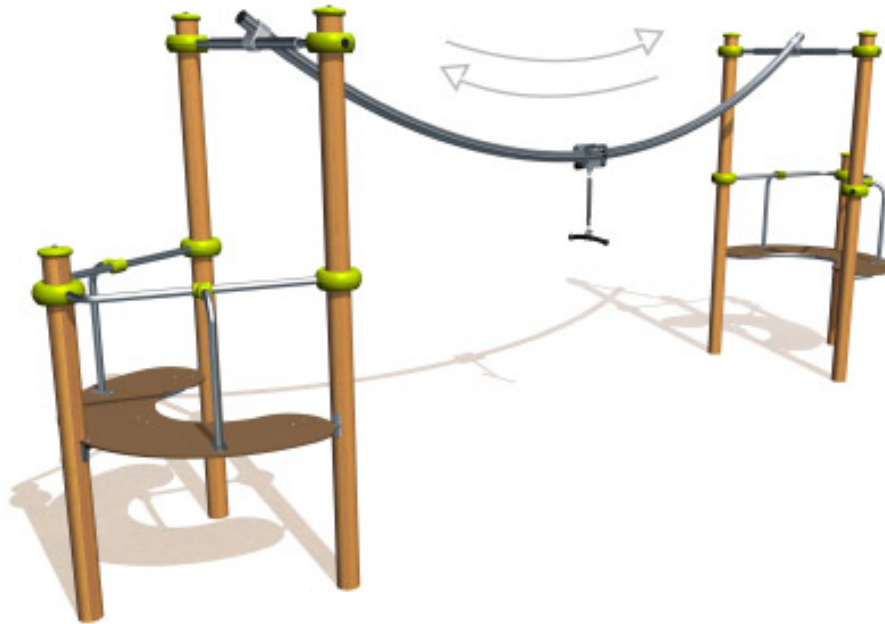


7+

2

0,97m

1 = 7,4m 2 = 3,3m 3 = 3m



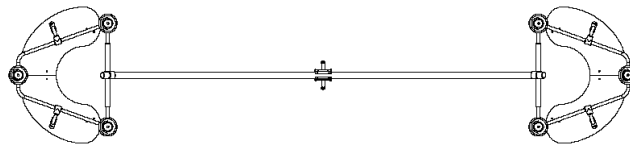
Play value

meeting / role play

sliding

climbing

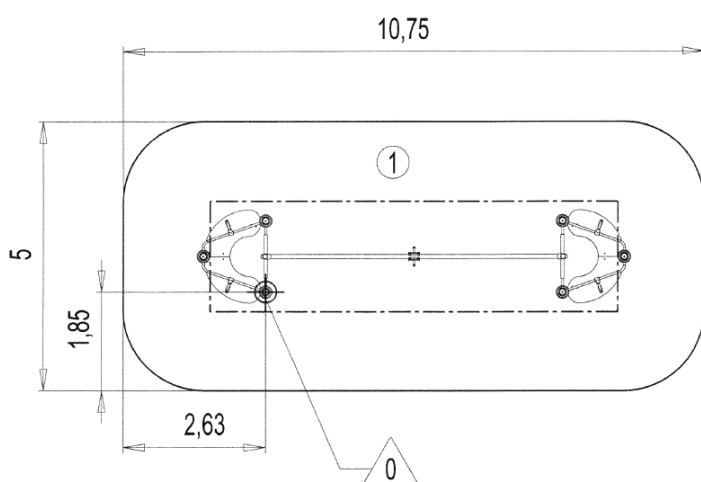






Installation of equipment

Impact area =

-  Impact area
-  Free space



Point de Référence
Setting Out Point
Punto de referencia
Bezugspunkt

		
1	0,97m	52,5m ²



2



10h00



0.29m³



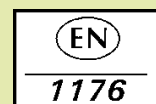
52.5m²



301kg



38kg



Proludic

2013-03-04