



4+



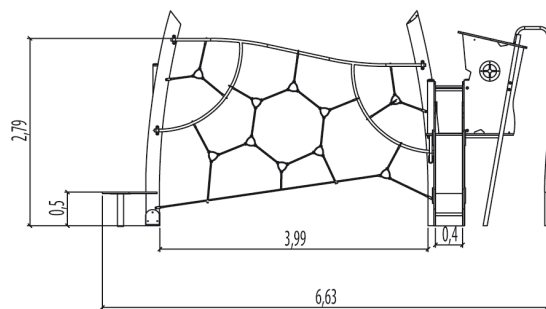
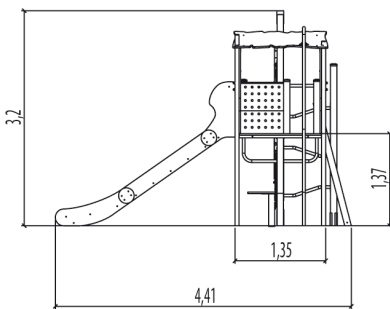
15



2,8m



1 = 6,8m 2 = 4,3m 3 = 3,2m



Play value

sliding



x2

climbing



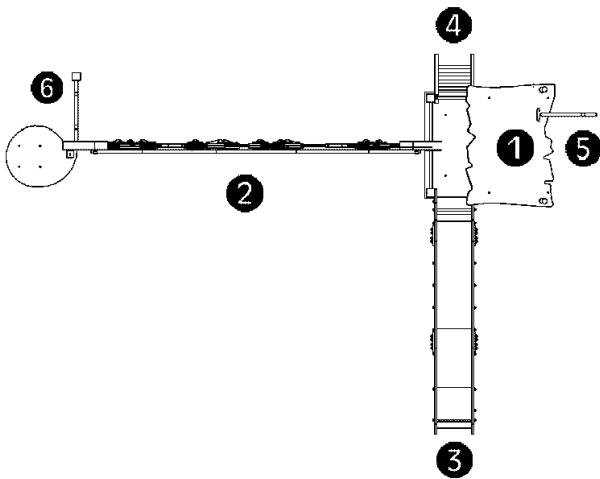
x2

meeting / role
play



x2

Number of play elements: 6

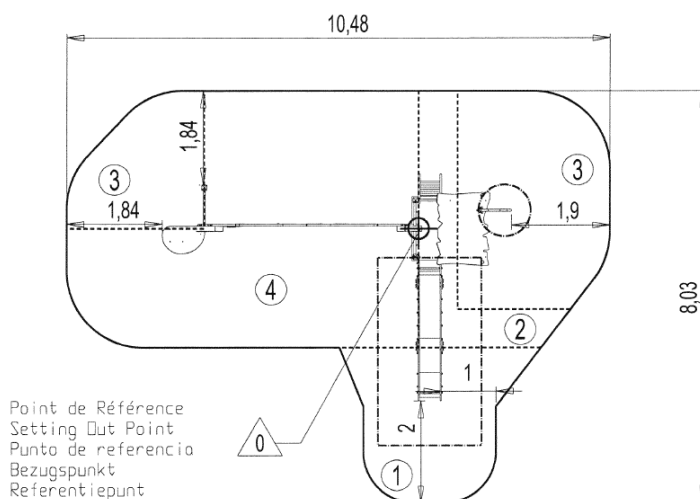




- ❶ The fisherman's hut HT: 1.37m - G2701
- ❷ Spider's web - G2732
- ❸ Slide HT: 1.37m - G2720
- ❹ Ladder HT: 1.37m - G2710
- ❺ Fireman's pole HT: 1.37m - G2723
- ❻ The stump - G2715

Installation of equipment

Impact area =

-  Impact area
-  Free space



		
1	1,00m	8,5m ²
2	1,37m	5,5m ²
3	2,00m	17,5m ²
4	2,8m	26,5m ²



2



14h30



0.4m³



58m²



382kg



33kg



Proludic

2012-11-29