



4+



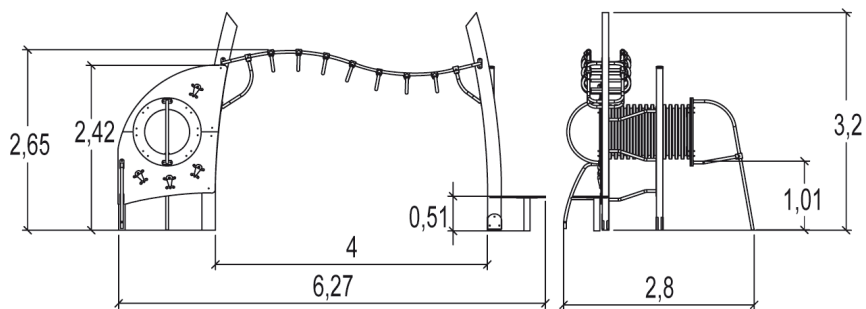
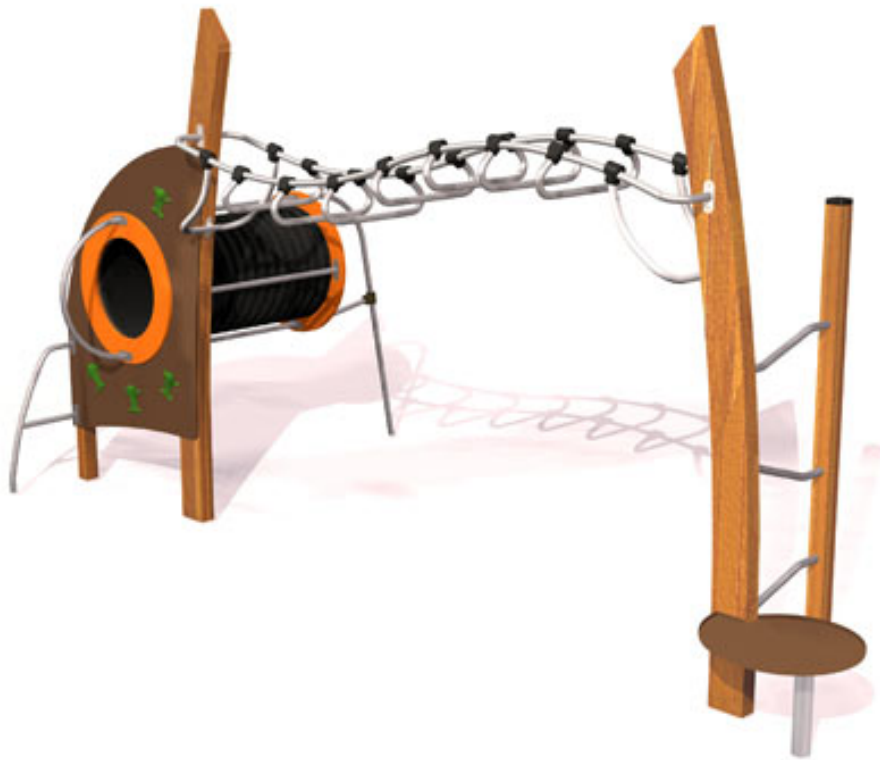
14



2,6m



1 = 6,3m 2 = 2,9m 3 = 3,2m



Play value

hanging



x1

crawling



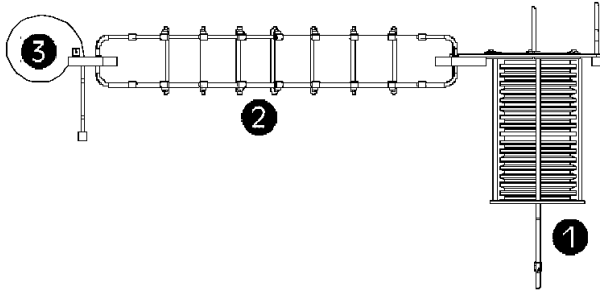
x1

meeting / role play



x1

Number of play elements: 3

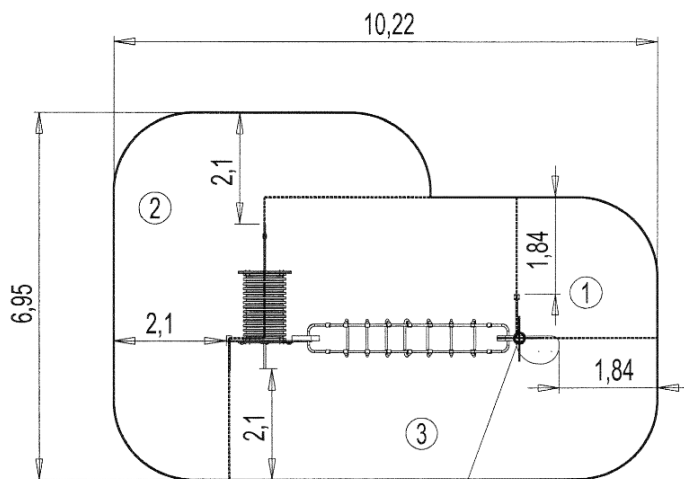


- ① The trunk - G2733
- ② Acrobranch - G2730
- ③ The stump - G2715

Installation of equipment

Impact area =

- Impact area
- Free space



Point de Référence
Setting Out Point
Punto de referencia
Bezugspunkt
Referentiepunt

1	2m	7m ²
2	2,4m	21,5m ²
3	2,6m	34m ²



2



10h45



0.2m³



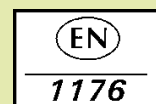
62.5m²



306kg



48kg



Proludic

2012-11-29