



4+



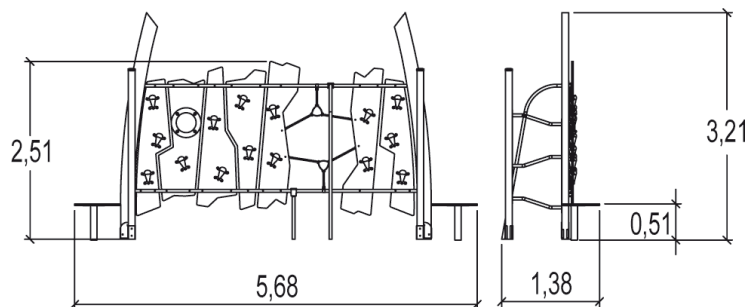
12



2,2m



1 = 5,7m 2 = 1,8m 3 = 3,2m



Play value

climbing



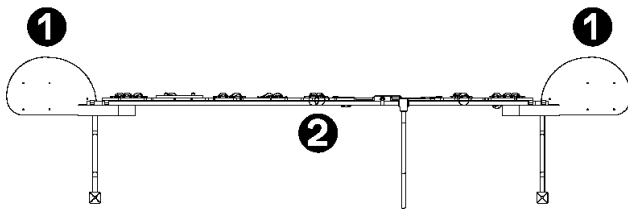
x1

meeting / role play



x1

Number of play elements: 2

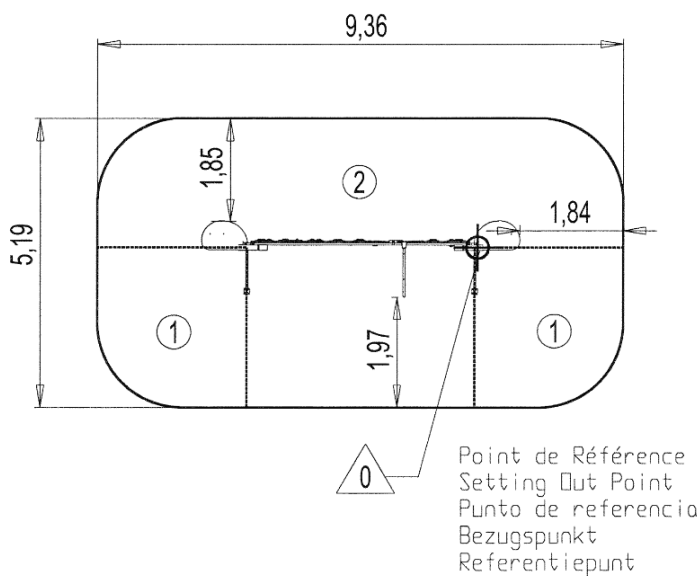


- ① The stump - G2715
- ② Wall - G2731

Installation of equipment

Impact area =

- Impact area
- Free space



1	2m	14,5m ²
2	2,2m	32,5m ²



2



08h30



0.3m³



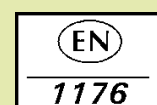
47m²



278kg



33kg



Proludic

2012-11-29