



4+



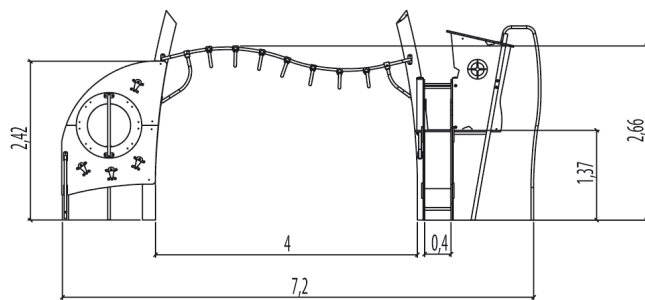
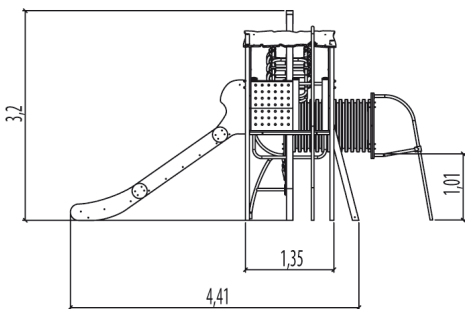
18



2,6m



1 = 7,3m 2 = 5,6m 3 = 3,2m



Play value

sliding



x2

hanging



x1

crawling



x1

climbing



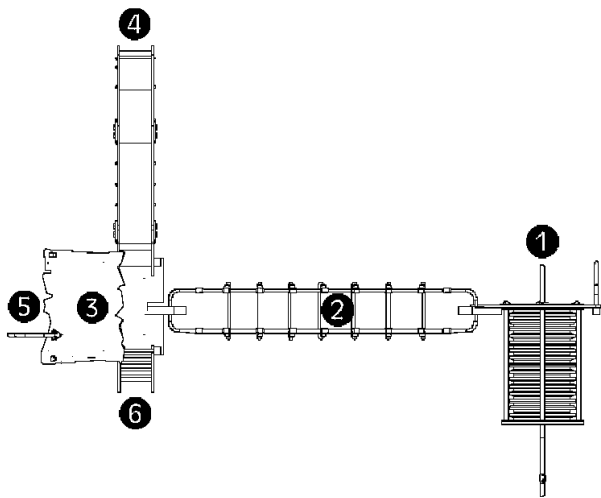
x1

meeting / role play



x1

Number of play elements: 6

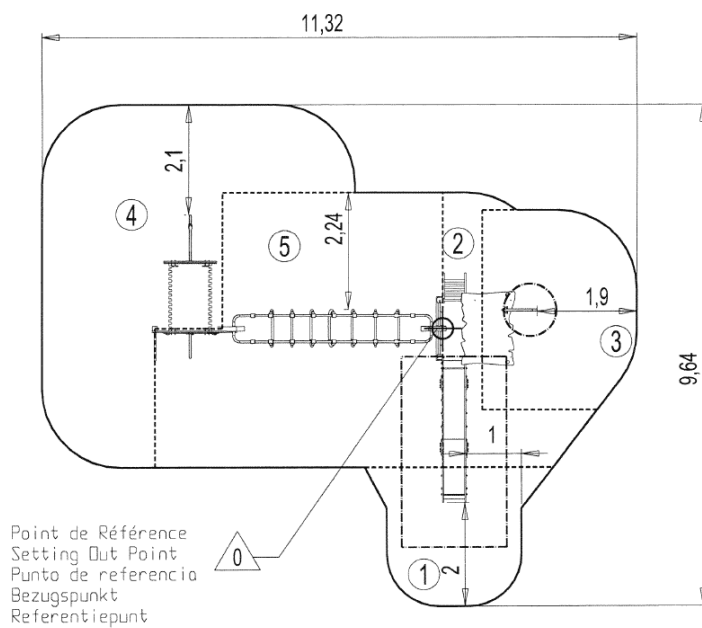


- ❶ The trunk - G2733
- ❷ Acrobranch - G2730
- ❸ The fisherman's hut HT: 1.37m - G2701
- ❹ Slide HT: 1.37m - G2720
- ❺ Fireman's pole HT: 1.37m - G2723
- ❻ Ladder HT: 1.37m - G2710

Installation of equipment

Impact area =

- Impact area
- Free space



1	1m	7m ²
2	1,37m	6m ²
3	2m	10,5m ²
4	2,4m	23,5m ²
5	2,6m	26m ²



2



17h00



0.4m³



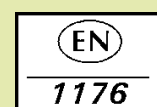
73m²



485kg



48kg



Proludic

2012-11-29