



4+



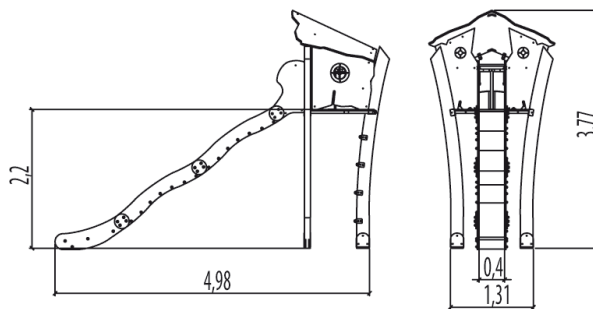
10



2,2m



1 = 5,3m 2 = 2m 3 = 3,8m



Play value

sliding



x1

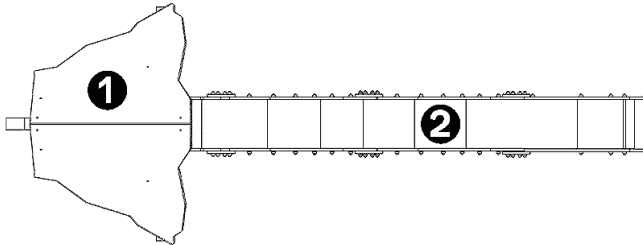
meeting / role play



x1

Number of play elements: 2

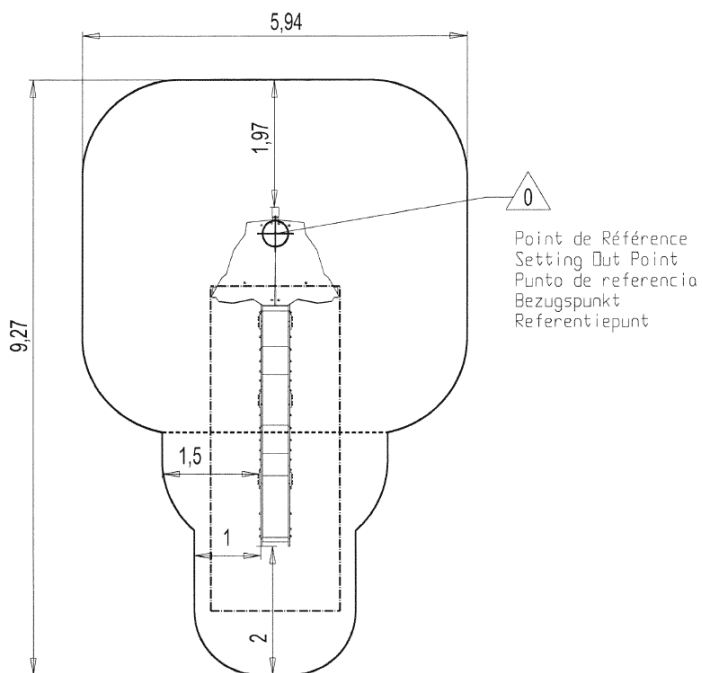
- ❶ The treetop hut HT: 2.2m - G2704
- ❷ Slide HT: 2.2m - G2722



Installation of equipment

Impact area =

- Impact area
- Free space



1	1m	10,5m ²
2	2,2m	31m ²



2



08h00



0.2m³



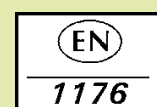
41.5m²



345kg



81kg



Proludic

2012-11-29