



4+



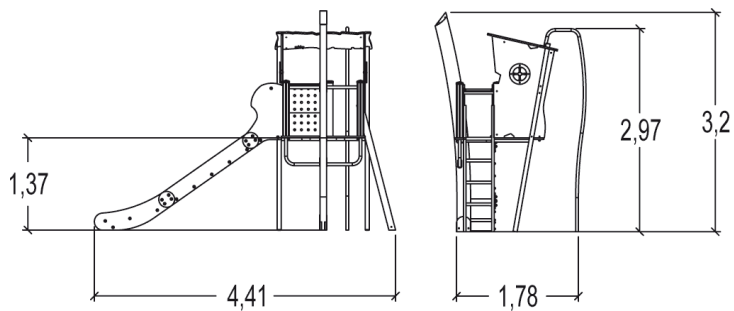
12



2m



1 = 4,41m 2 = 2,21m 3 = 3,2m



Play value

sliding



x2

climbing



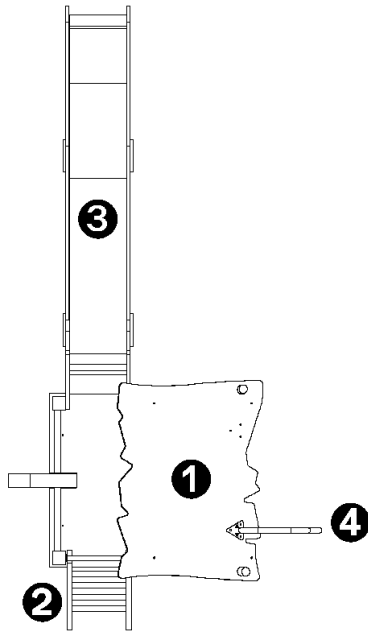
x1

meeting / role
play



x1

Number of play elements: 4

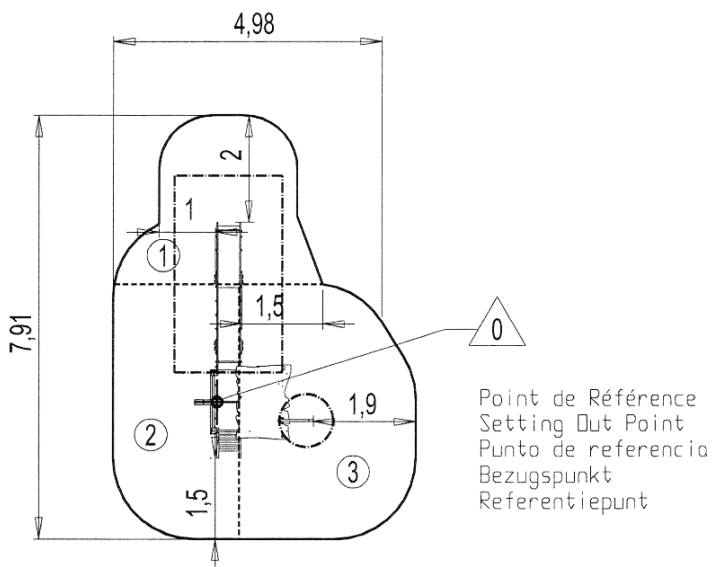


- ❶ The fisherman's hut HT: 1.37m - G2701
- ❷ Ladder HT: 1.37m - G2710
- ❸ Slide HT: 1.37m - G2720
- ❹ Fireman's pole HT: 1.37m - G2723

Installation of equipment

Impact area =

- Impact area
- Free space



1	1m	9m ²
2	1,37m	11m ²
3	2m	14,5m ²



2



09h00



0.4m³



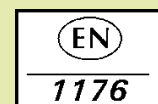
34.5m²



266kg



33kg



Proludic

2012-11-29