



2-8



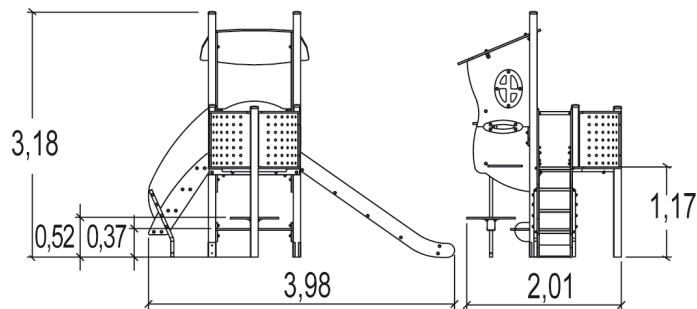
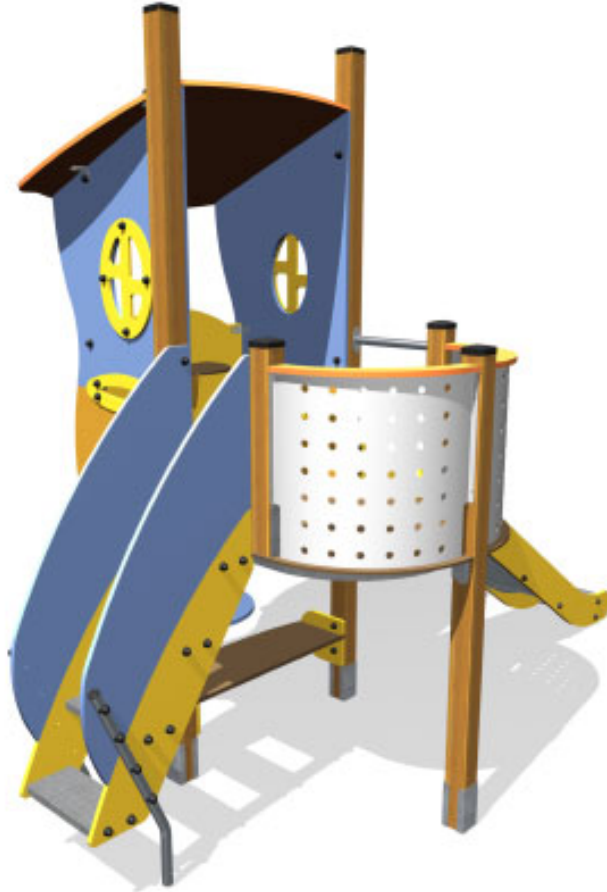
10



1,17m



1 = 4m 2 = 2,14m 3 = 3,2m



### Play value

sliding



x1

handling



x2

climbing



x1

meeting / role play



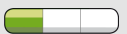
x2

Number of play elements: 6

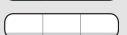
### Accessibility



Motor disability

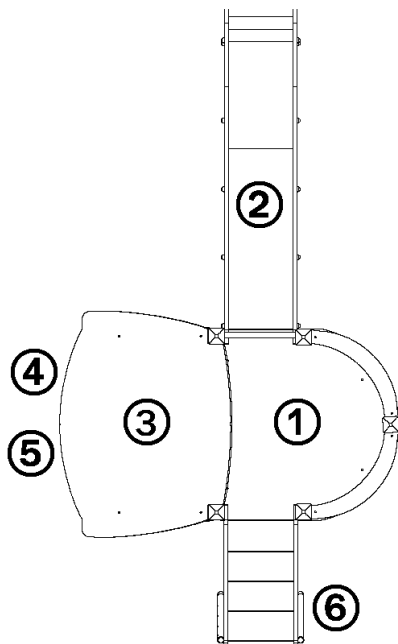


Sensorial Disabilities



Learning Disabilities



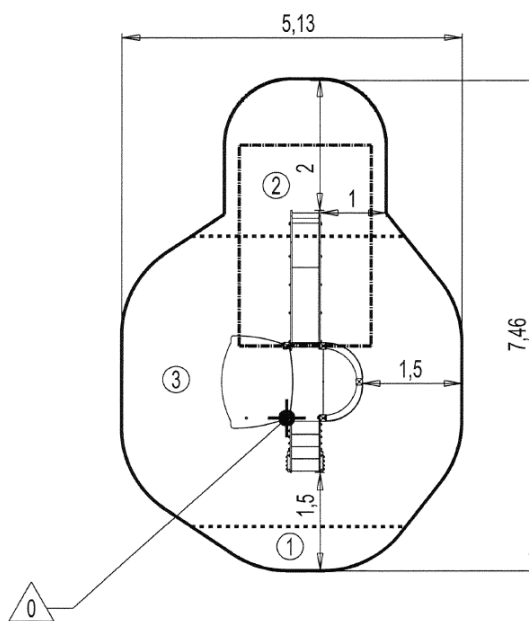


- ① Platform with double balcony HT: 1.17m
- ② Slide - G3349
- ③ Open house - G3331
- ④ Table under platform - G3346
- ⑤ Bench - G3364
- ⑥ Stairs (under 36 months) - G3397



## Installation of equipment

Impact area =

— Impact area  
 - - - Free space



Point de Référence  
 Setting Out Point  
 Punto de referencia  
 Bezugspunkt

		
1	0,60m	2m <sup>2</sup>
2	1,00m	6m <sup>2</sup>
3	1,17m	21m <sup>2</sup>



2



13h00



0.3m<sup>3</sup>



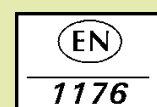
29m<sup>2</sup>



303kg



20kg



*Proludic*

2013-09-05