



4+



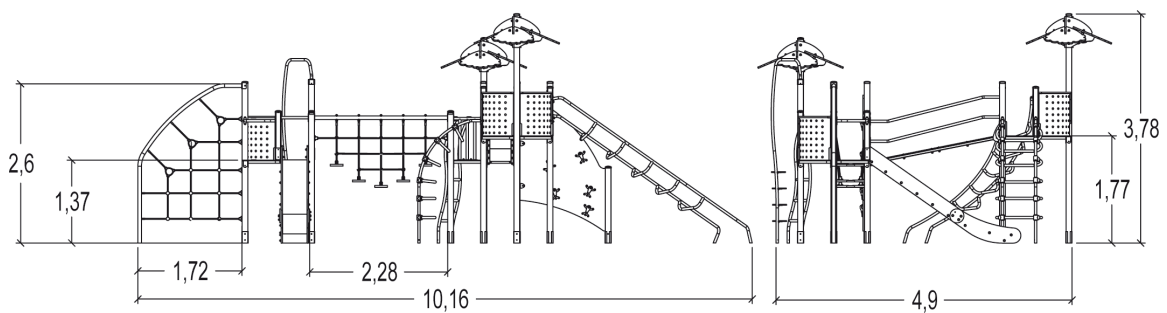
20



2,6m



1 = 10m 2 = 6m 3 = 3,8m



Play value

climbing



x1

sliding



x2

climbing



x4

getting across



x2

meeting / role play



x2

Number of play elements: 11

Accessibility



Motor disability

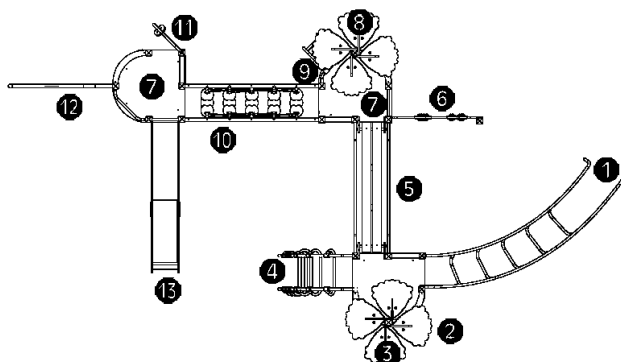


Sensorial Disabilities



Learning Disabilities



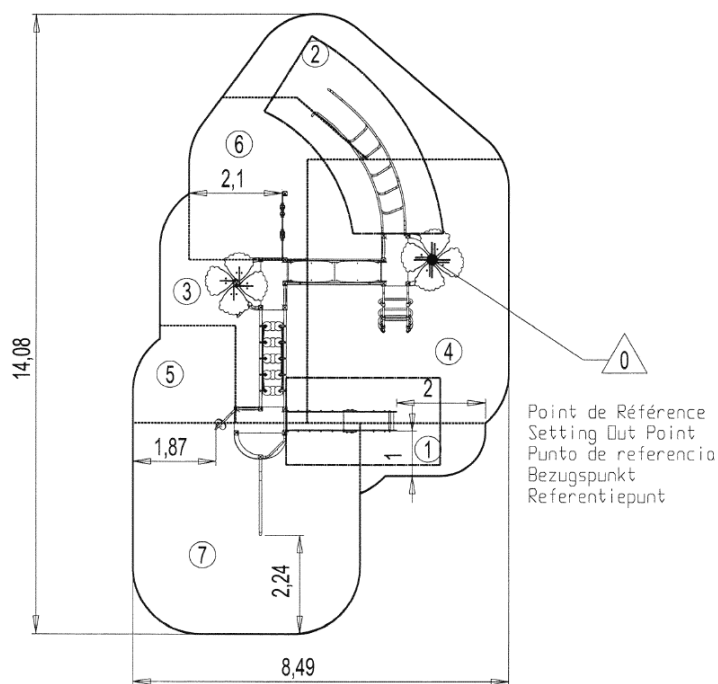


- ① Torrent HT: 1.77m - G33119
- ② Platform with double balcony HT: 1.77m
- ③ Palm tree - G3390
- ④ Arched ladder HT: 1.77m - G33108
- ⑤ Sloping catwalk - G33124
- ⑥ Climbing wall h: 2.4m - G33135
- ⑦ Platform with single balcony HT: 1.37m
- ⑧ Palm tree - G3389
- ⑨ Contoured ladder HT: 1.37m - G33110
- ⑩ Swinging steps - G33121
- ⑪ Coconut tree mast HT: 1.37m - G33101
- ⑫ Side net h: 2.6m - G33140
- ⑬ Slide HT: 1.37m - G3350

Installation of equipment

Impact area =

- Impact area
- Free space



1	1,00m	3,5m ²
2	1,3m	10,5m ²
3	1,37m	10m ²
4	1,77m	27m ²
5	2m	5m ²
6	2,4m	10,5m ²
7	2,6m	24m ²



2



32h00



0.6m³



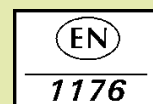
90.5m²



724kg



29kg



Proludic

2013-09-05