



3+



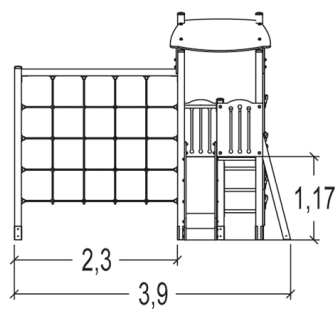
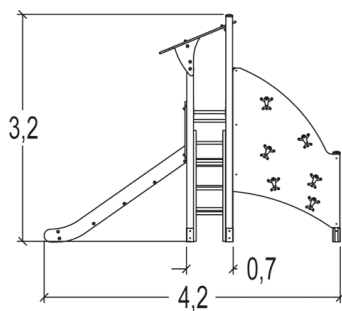
19



2,4m



1 = 4,17m 2 = 3,89m 3 = 3,2m



Play value

climbing



x1

sliding



x1

climbing



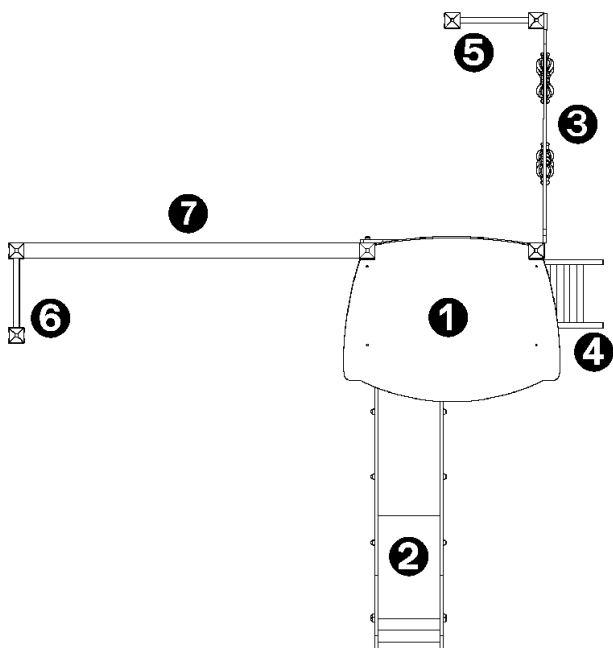
x4

meeting / role play



x1

Number of play elements: 7

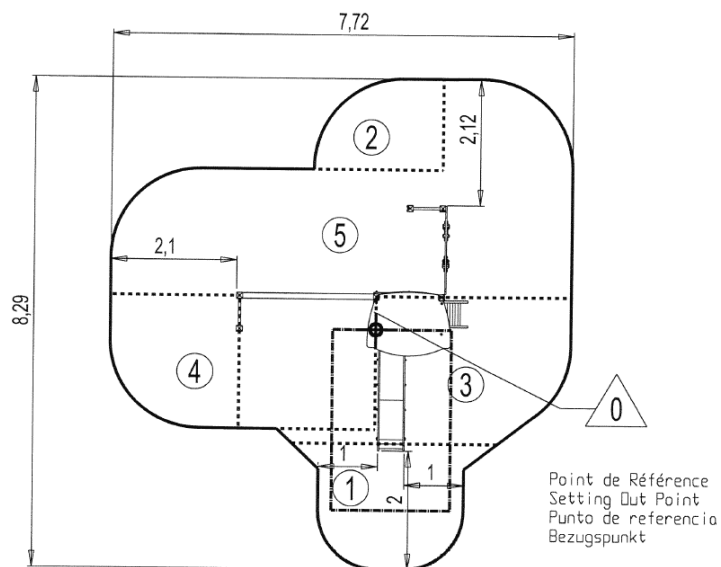


- ① Covered platform - 4 posts -HT: 1.17m - G3301
- ② Slide - G3349
- ③ Climbing wall h: 2.4m - G33135
- ④ Ladder HT: 1.17m - G3391
- ⑤ Supporting ladder - G33136
- ⑥ Vertical ladder HT: 2.4m - G1313
- ⑦ Net HT: 2.4m - G1343

Installation of equipment

Impact area =

- Impact area
- Free space



| 1 | 1m | 5m ² |
|---|-------|--------------------|
| 2 | 1,02m | 3m ² |
| 3 | 1,17m | 8m ² |
| 4 | 1,7m | 4,5m ² |
| 5 | 2,4m | 24,5m ² |



2



18h00



0.3m³



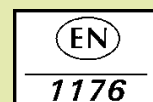
45m²



329kg



27kg



Proludic

2013-09-05