



1+



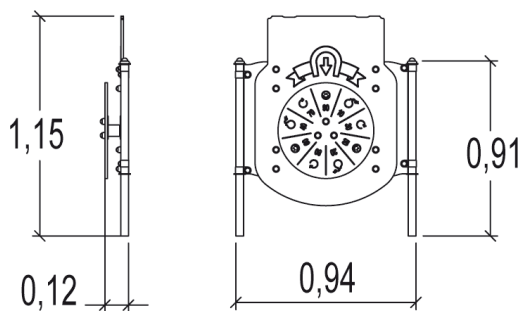
2



0m



1 = 0,94m 2 = 0,11m 3 = 1,15m

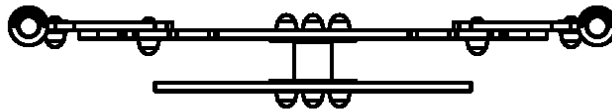


Play value

handling

Accessibility

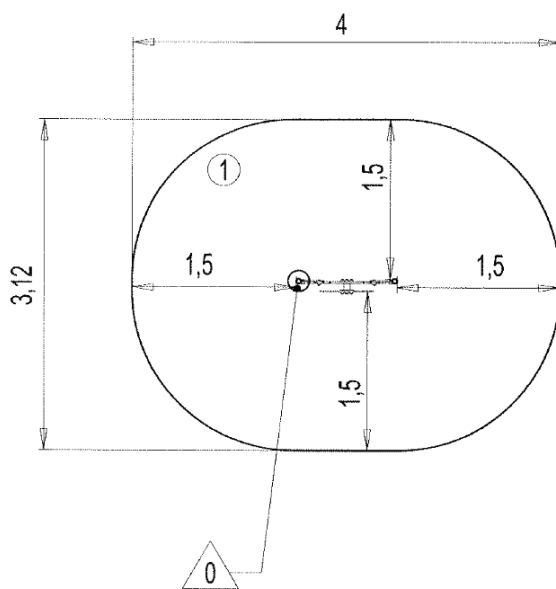
- Motor disability
- Sensorial Disabilities
- Learning Disabilites





Installation of equipment

Impact area =

-  Impact area
-  Free space



Point de Référence
Setting Out Point
Punto de referencia
Bezugspunkt

		
1	0m	10,3m ²



2



01h00



0.05m³



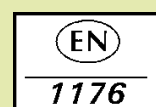
10.3m²



26kg



15kg



Proludic

0000-00-00