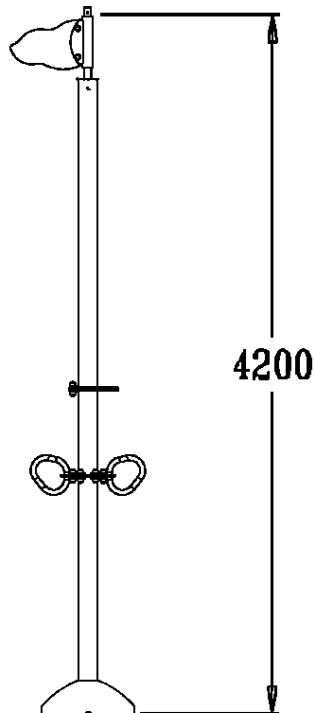




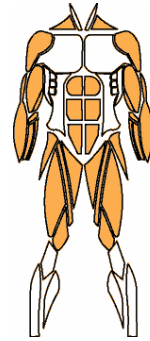
1=0.76m 2=0.5m 3=4.2m



Please enter your username
 and your password.
 If you don't have a password,
 click here



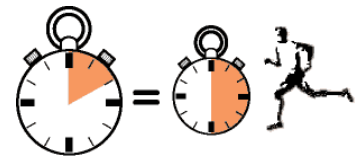
MUSCULAR STIMULATION



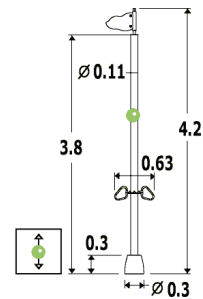
INTENSITY OF EFFORT



ENERGY EXPENDITURE



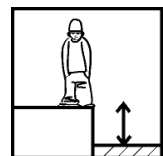
DIMENSIONS & MOVEMENTS



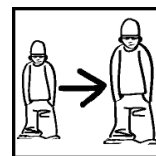
OTHER INFORMATION



1 player





HCL= 2.8m

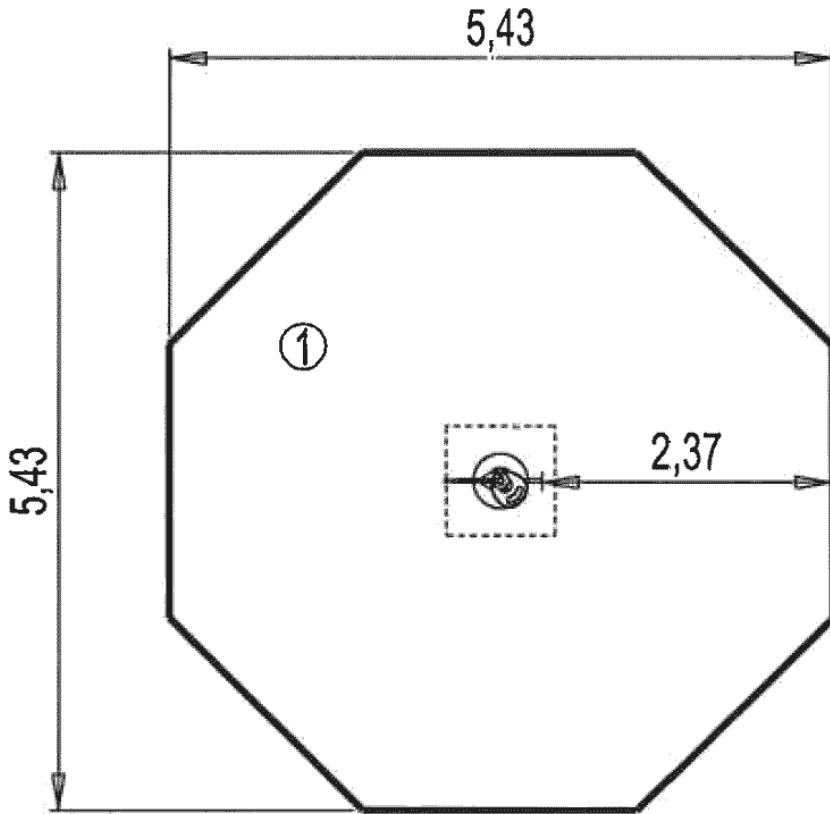


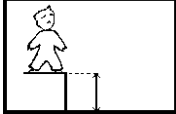
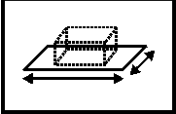
14+

Installation of equipment

Impact area =

-  Impact area
-  Free space

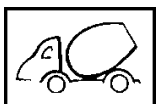


	
①	2.8m
	24.5m ²

Seat comprises 2 painted steel slats 50x25x2,5 mm, and 4 pultruded polyester slats (polyester composite/fibre gla

INSTALLATION

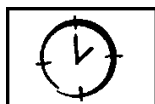
CERTIFICATIONS



0.5m³



2



01h00

