



3+



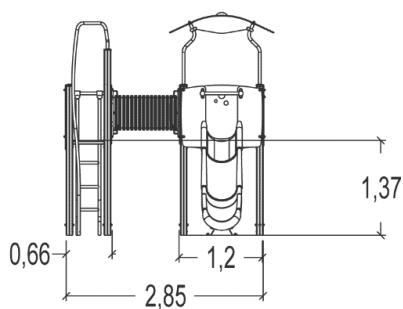
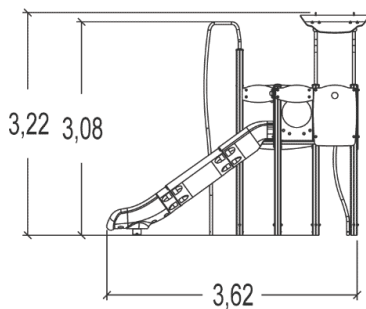
15



2m



1 = 2,85m 2 = 3,74m 3 = 3,22m



## Play value

sliding



x2

crawling



x1

climbing



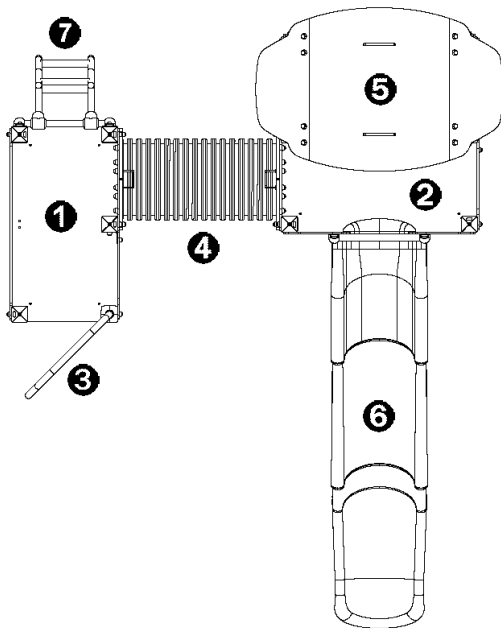
x1

meeting / role play



x2

Number of play elements: 6

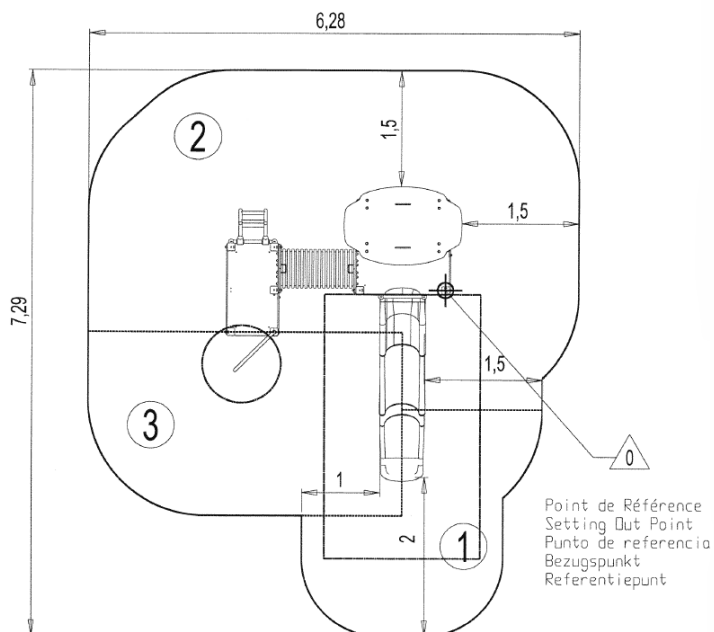


- ❶ Platform HT: 1.37m - G38105
- ❷ Platform HT: 1.37m - G38106
- ❸ Fireman's pole H: 1.37m - G38167
- ❹ Tunnel - G38151
- ❺ Roof - G38120
- ❻ Polyethylene slide H: 1.37m - G38170
- ❼ Arched ladder H: 1.37m - G38136

## Installation of equipment

Impact area =

- Impact area
- Free space



1	1m	6m <sup>2</sup>
2	1,37m	22m <sup>2</sup>
3	2m	9m <sup>2</sup>



2



12h00



0.35m<sup>3</sup>



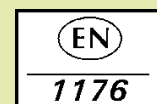
37m<sup>2</sup>



475kg



32kg



*Proludic*

2013-01-11