



3+



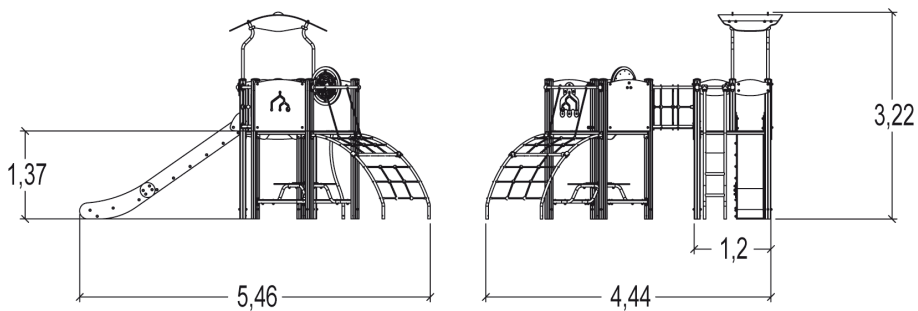
23



2,1m



1 = 5,46m 2 = 4,44m 3 = 3,22m



Play value

sliding



x1

handling



x2

climbing



x2

getting across



x1

meeting / role play



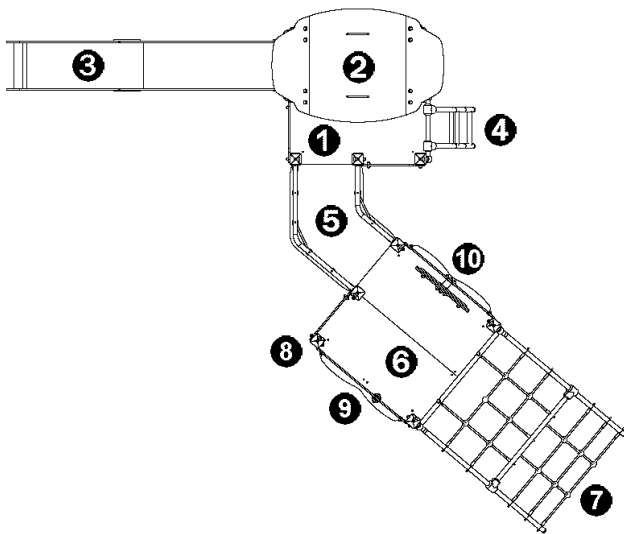
x2

hiding / resting



x1

Number of play elements: 9

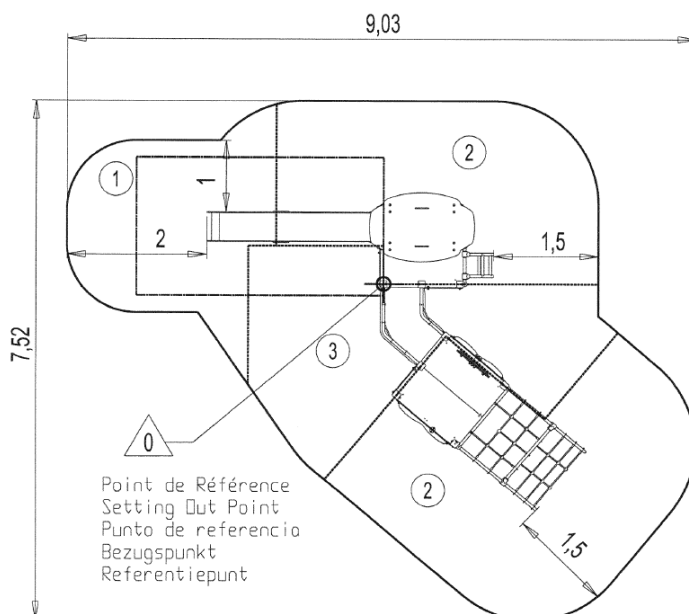


- ❶ Platform HT: 1.37m - G38106
- ❷ Roof - G38120
- ❸ Slide H: 1.37m - G38163
- ❹ Arched ladder H: 1.37m - G38136
- ❺ Arched walkway - G38146
- ❻ Platform HT: 1.37m - G38106
- ❼ Incline net H: 1.77m - G38155
- ❽ Table - G38175
- ❾ The Pachinko Play Panel - G38184
- ❿ 'Maze' board - G38179

Installation of equipment

Impact area =

- Impact area
- Free space



1	1m	7,5m ²
2	1,37m	25m ²
3	2,1m	10m ²



2



00h00



0.4m³



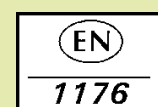
42.5m²



562kg



32kg



Proludic

2013-01-11