

Diabolo

J38200



2+



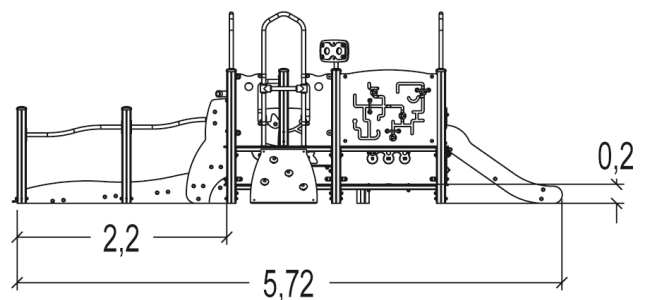
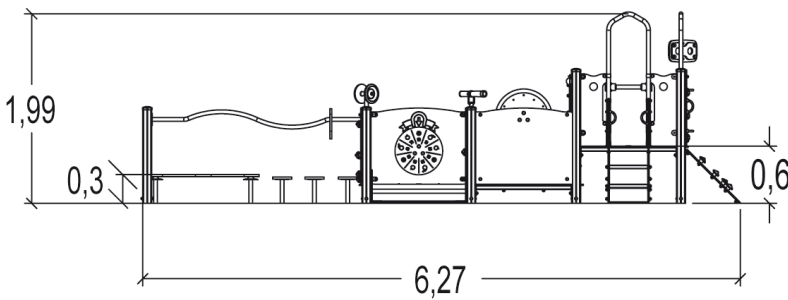
33



1m



1 = 6,27m 2 = 5,72m 3 = 2m



Play value

climbing



x1

sliding



x1

handling



x10

climbing



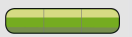
x1

Number of play elements: 13

Accessibility



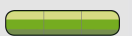
Motor disability



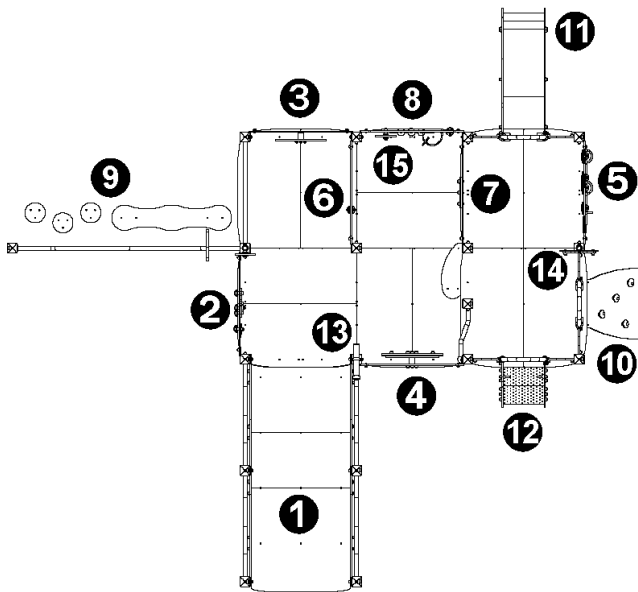
Sensorial Disabilities



Learning Disabilities



Proludic

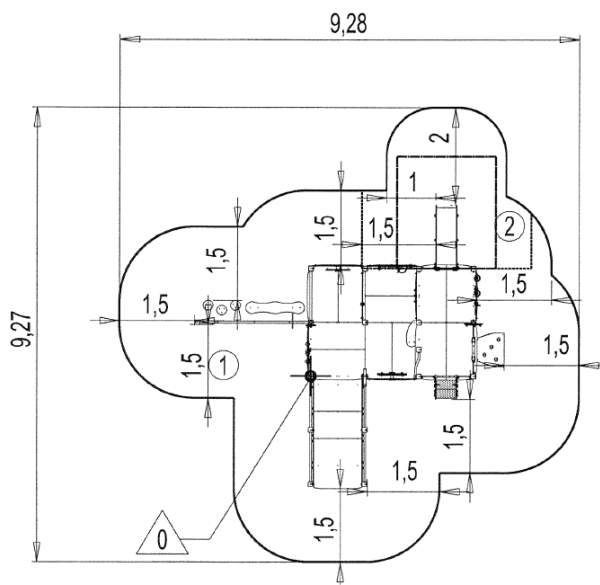


- ① Access ramp - G38143
- ② 'Flowers' boards - G38181
- ③ The Lottery play panel - G38183
- ④ The Pachinko Play Panel - G38184
- ⑤ 'Maze' board - G38179
- ⑥ Play panel - G38186
- ⑦ 'Porthole' wall - G38182
- ⑧ Animal Labyrinth - G38178
- ⑨ Parcours d' - G38177
- ⑩ Slope - G3820
- ⑪ Slide HT: 0.6m - G3819
- ⑫ Steps - G3812
- ⑬ Telescope - G38189
- ⑭ Glasses - G38190
- ⑮ Colour disc - G38191

Installation of equipment

Impact area =

- Impact area
- Free space



Point de Référence
Setting Out Point
Punto de referencia
Bezugspunkt
Referentiepunt



1	0,6m	46m ²
2	1m	9m ²



2



34h00



0.7m³



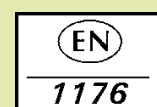
55m²



794kg



29kg



Proludic

2013-01-11