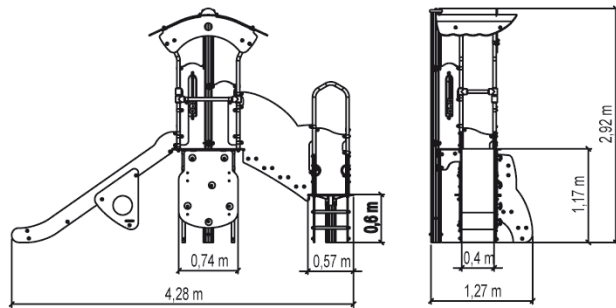




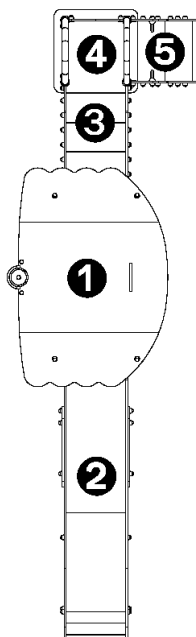

2+	15	1,17m	1 = 4,28m 2 = 1,29m 3 = 2,9m



Play value			
climbing	sliding	climbing	meeting / role play
			
x1	x1	x2	x2

Number of play elements: 6

Accessibility	
	Motor disability <input type="checkbox"/>
	Sensorial Disabilities <input type="checkbox"/>
	Learning Disabilites <input type="checkbox"/>

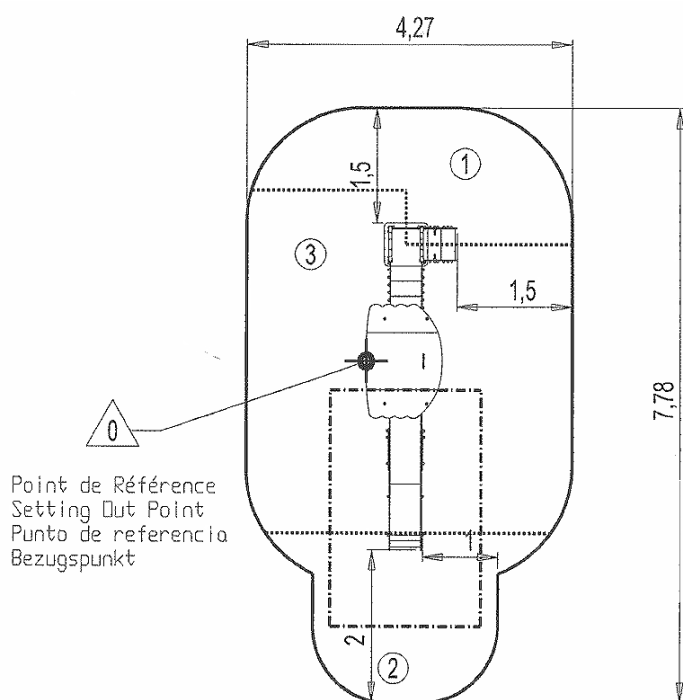


- ❶ Tower HT: 1.17m - G3830
- ❷ Slide HT: 1.17m - G3802
- ❸ Connecting staircase - G3814
- ❹ Platform HT: 0.6m - G3811
- ❺ Steps - G3812
- ❻ Mur escalade pf toit - G3836

Installation of equipment

Impact area =

- Impact area
- Free space



1	0,6m	5,5m ²
2	1m	5,5m ²
3	1,17m	17,5m ²



2



12h00



0.15m³



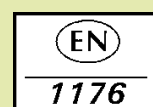
28.5m²



292kg



21kg



Proludic

2009-01-01