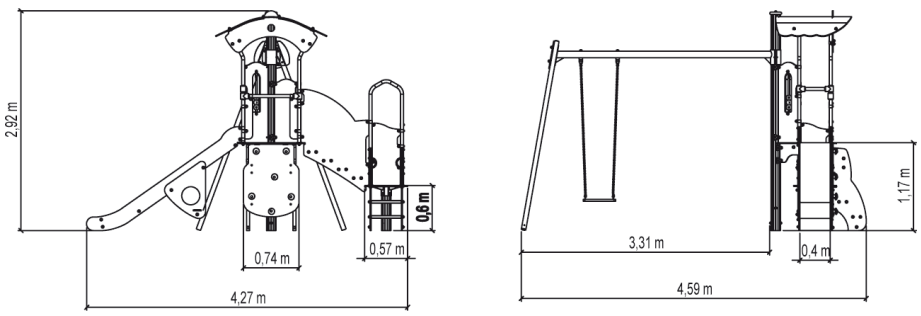





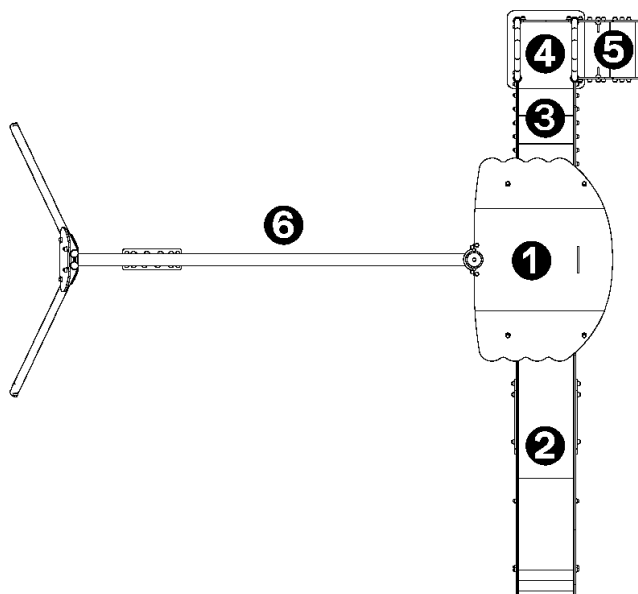

2+	15	1,4m	1 = 4,59m 2 = 4,28m 3 = 2,9m



Play value				
climbing	sliding	swinging	climbing	meeting / role play
				
x1	x1	x1	x2	x2
Number of play elements: 7				

Accessibility	
	Motor disability <input type="checkbox"/>
	Sensorial Disabilities <input type="checkbox"/>
	Learning Disabilites <input type="checkbox"/>

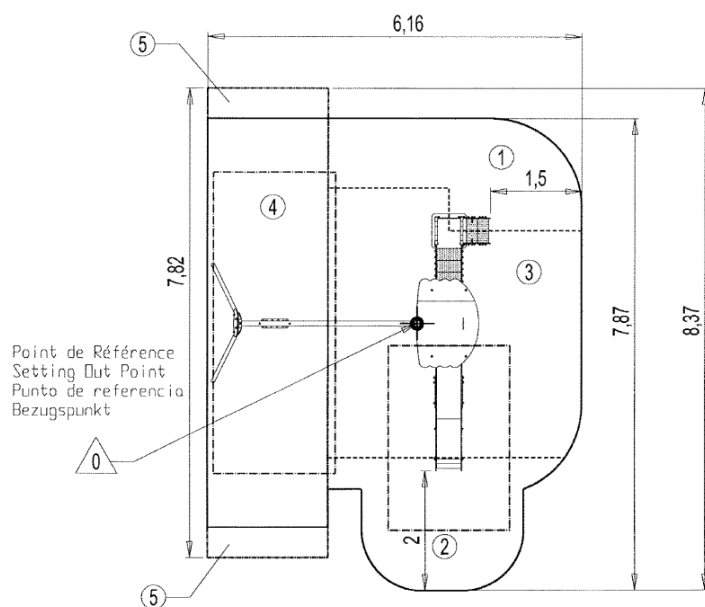


- ① Tower HT: 1.17m - G3830
- ② Slide HT: 1.17m - G3802
- ③ Connecting staircase - G3814
- ④ Platform HT: 0.6m - G3811
- ⑤ Steps - G3812
- ⑥ Swing - G3822
- ⑦ Mur escalade pf toit - G3836

Installation of equipment

Impact area =

- Impact area
- Free space



1	0,6m	6m ²
2	1m	6m ²
3	1,17m	17,5m ²
4	1,4m	13,5m ²
5	<0,6m	2m ²



2



14h00



0.2m³



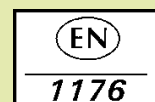
43m²



357kg



26kg



Proludic

2009-01-01