

Arendavad mänguvahendid

J3905



0.5-5



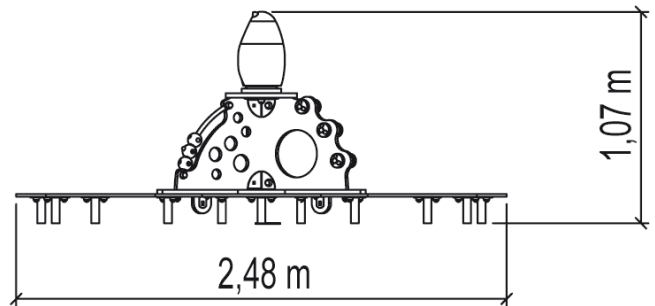
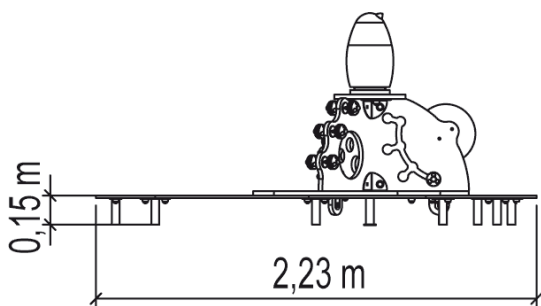
6



0,6m



1 = 2,48m 2 = 2,26m 3 = 1,09m



Play value

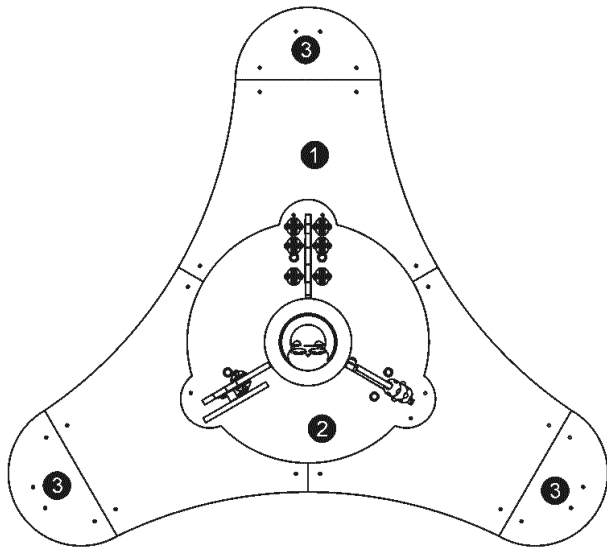
handling

x3

Number of play elements: 3

Accessibility

- Motor disability
- Sensorial Disabilities
- Learning Disabilites

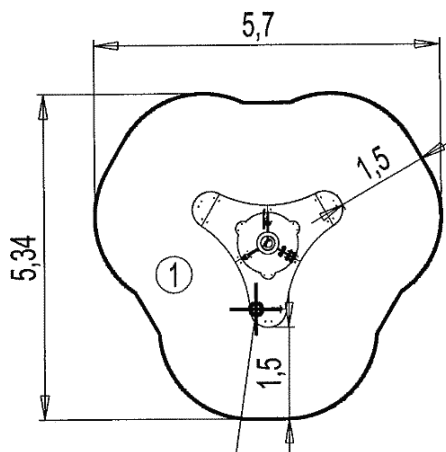


- ① Star module - G3905
- ② Activity center - G3913
- ③ End table - G3906

Installation of equipment

Impact area =

- Impact area
- Free space



Point de Référence
Setting Out Point
Punto de referencia
Bezugspunkt

1	<0,6m	23m ²



2



03h30



0.04m³



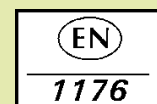
23m²



84kg



11kg



Proludic

2007-01-01