

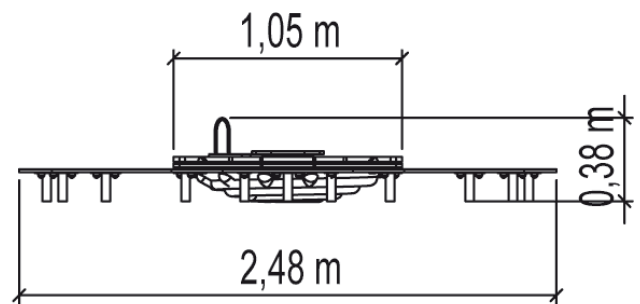
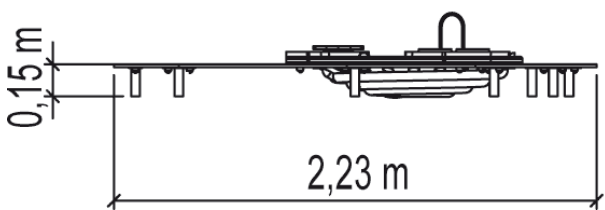
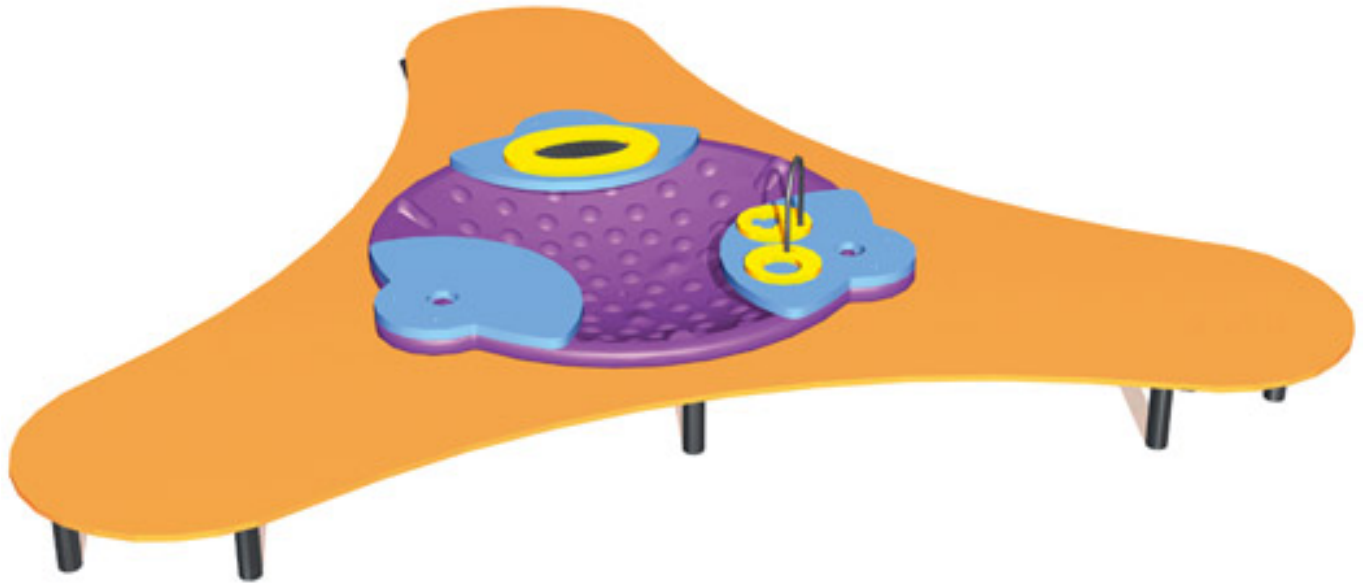


0.5-5

6

0,6m

1 = 2,48m 2 = 2,26m 3 = 0,39m



Play value

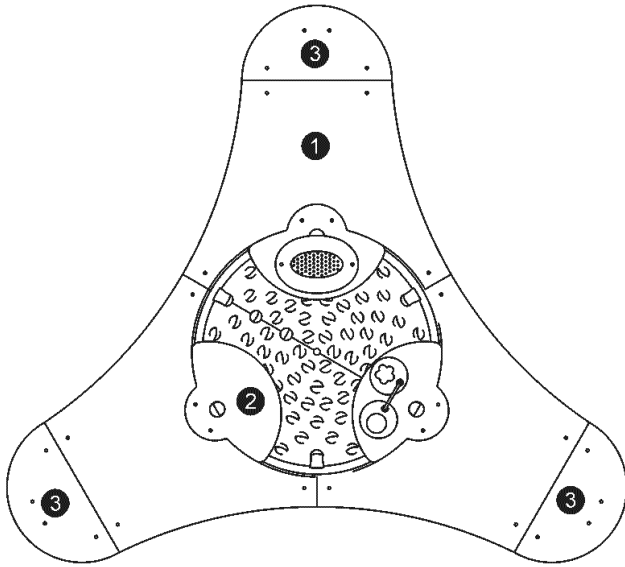
handling

x3

Number of play elements: 3

Accessibility

- Motor disability
- Sensorial Disabilities
- Learning Disabilites

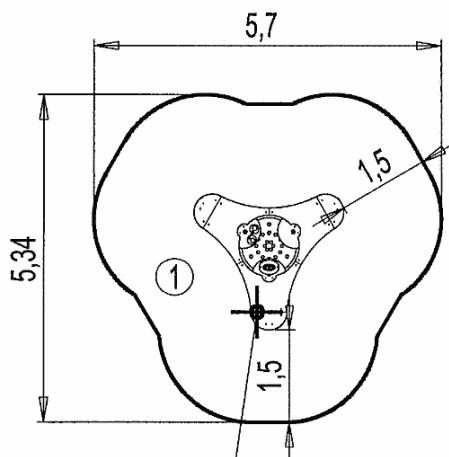


- 1 Star module - G3905
- 2 Sand pit - G3912
- 3 End table - G3906



Installation of equipment

Impact area =

-  Impact area
-  Free space



Point de Référence
Setting Out Point
Punto de referencia
Bezugspunkt

		
1	<0,6m	23m ²



2



03h00



0.04m³



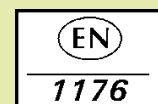
23m²



68kg



10kg



Proludic

2007-01-01