

Arendavad mänguvahendid

J3940



0.5-5



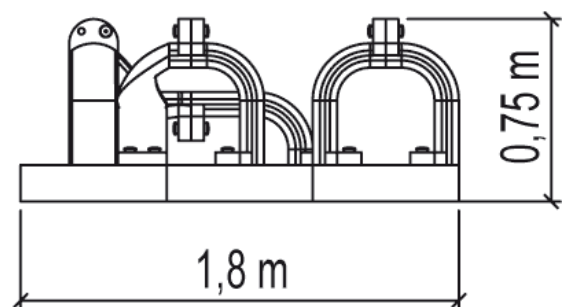
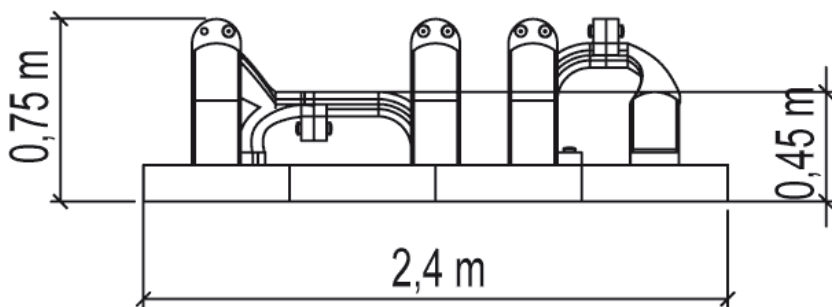
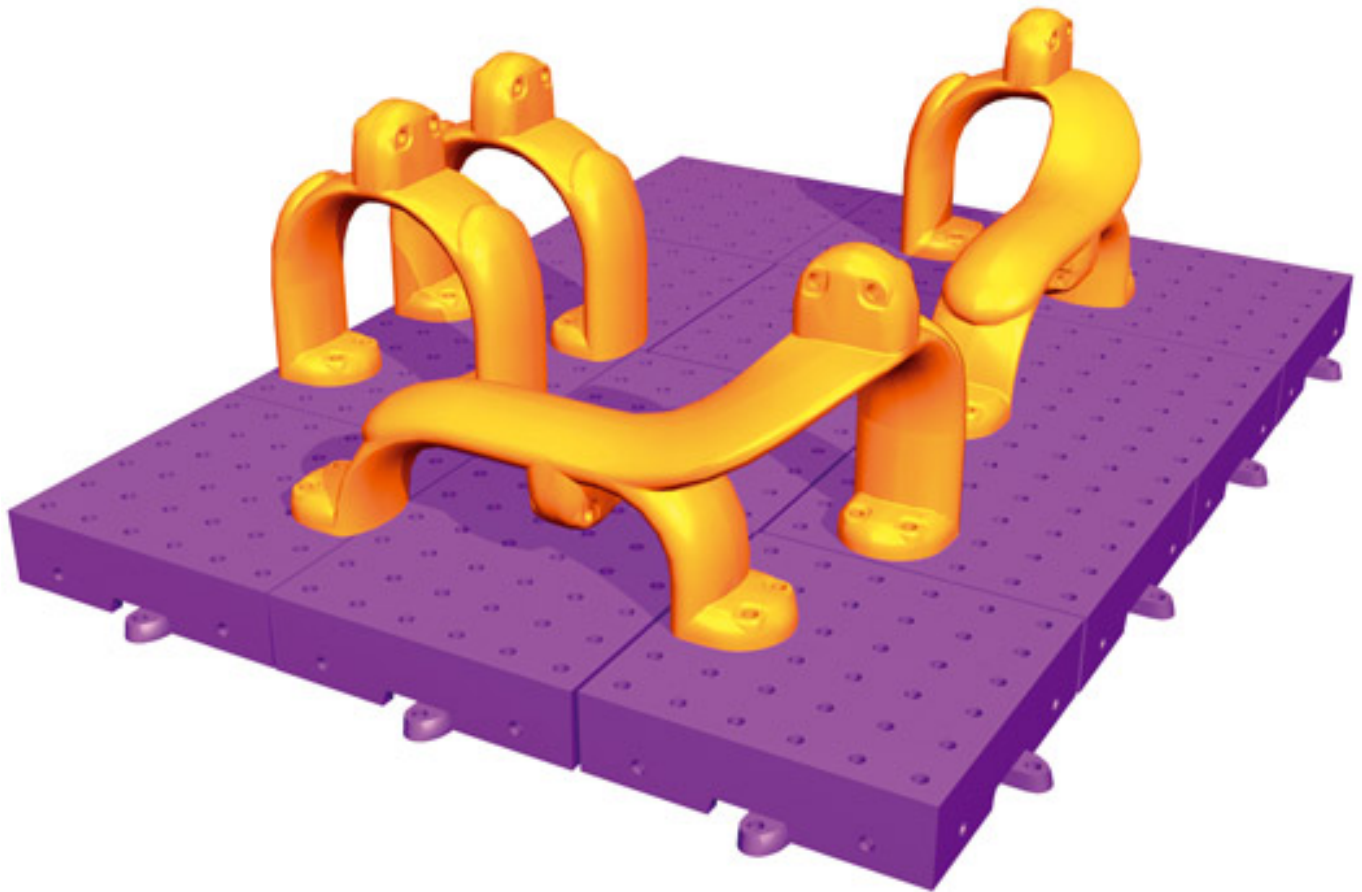
8



0,6m



1 = 2,4m 2 = 1,8m 3 = 0,76m



Play value

handling



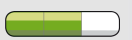
x3

Number of play elements: 3

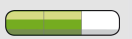
Accessibility



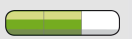
Motor disability



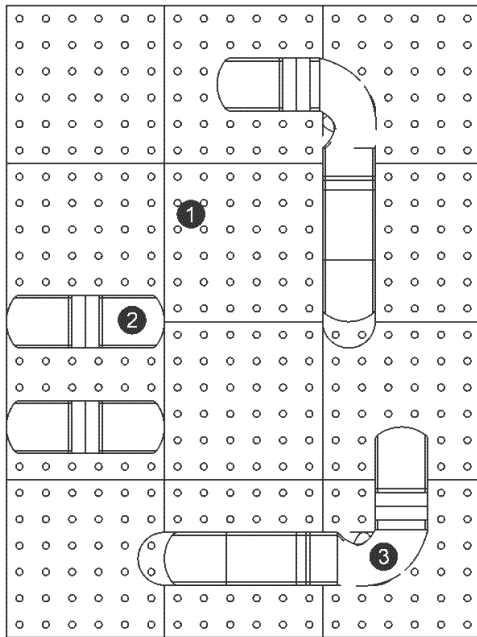
Sensorial Disabilities



Learning Disabilities



Proludic

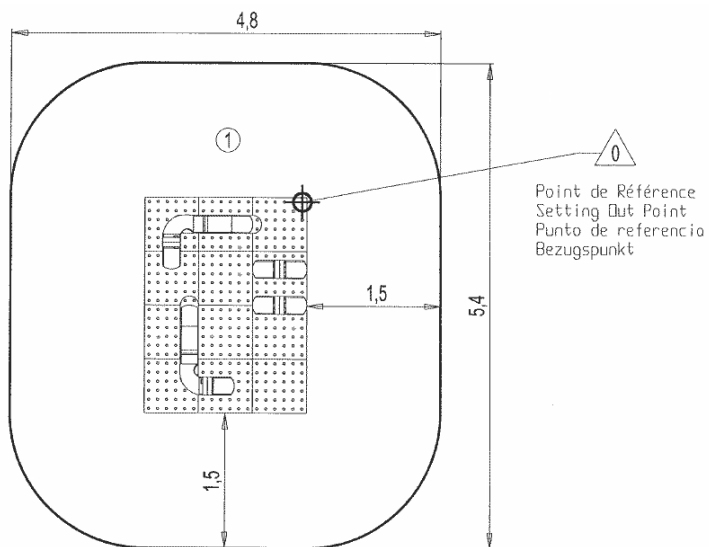


- ① A fixing mat - G3914
- ② An arch module - G3915
- ③ An elbow module - G3916

Installation of equipment

Impact area =

- Impact area
- Free space



1	<0,6m	24m ²



2



03h00



0.27m³



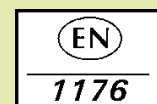
24m²



110kg



7kg



Proludic

2007-01-01