

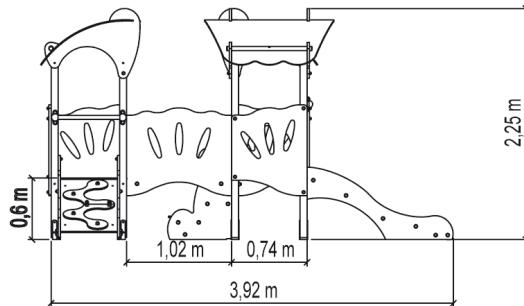
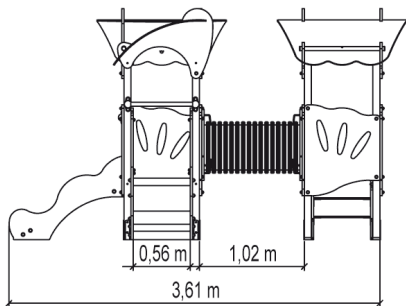


0.5-5

15

1m

1 = 4m 2 = 3,5m 3 = 2,25m



### Play value

climbing



x1

sliding



x1

crawling



x1

climbing



x1

getting across



x1

meeting / role play



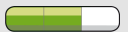
x1

Number of play elements: 6

### Accessibility



Motor disability

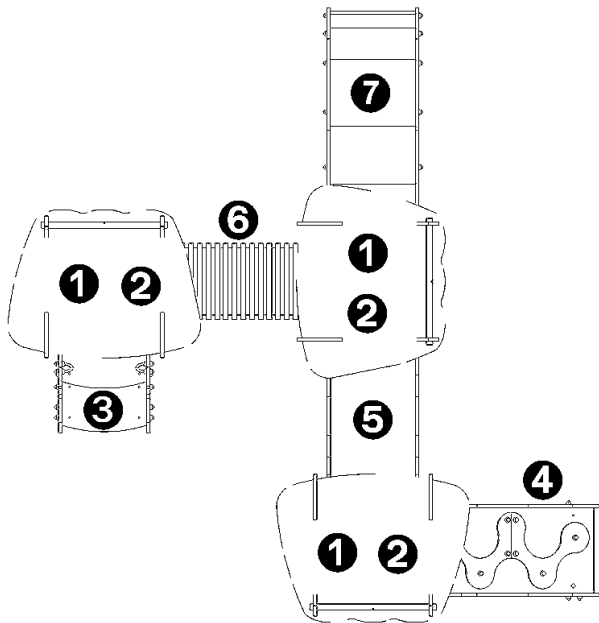


Sensorial Disabilities



Learning Disabilities



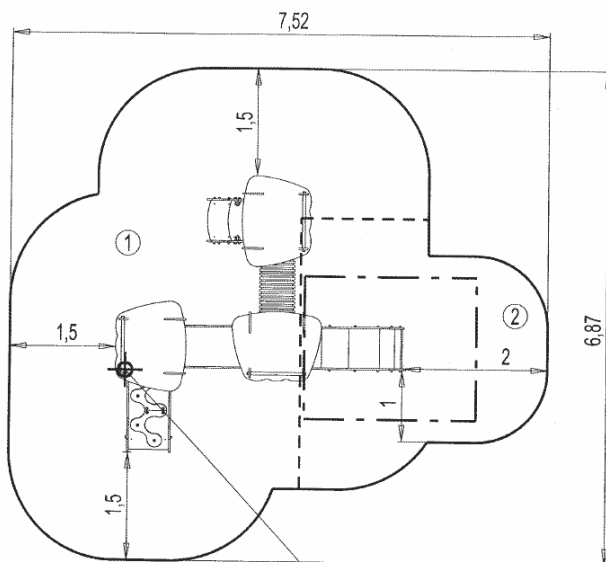


- 1 Platform HT: 0.6m - G3924
- 2 Wall - G3925
- 3 Steps - G3926
- 4 Slope - G3927
- 5 Walkway - G3928
- 6 Tunnel - G3929
- 7 Slide HT: 0.6m - G3930

## Installation of equipment

Impact area =

- Impact area
- Free space



Point de Référence  
Setting Out Point  
Punto de referencia  
Bezugspunkt

| 1 | 0,6m | 27m <sup>2</sup>   |
|---|------|--------------------|
| 2 | 1m   | 10,5m <sup>2</sup> |



2



08h00



0.33m<sup>3</sup>



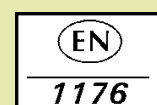
37.5m<sup>2</sup>



340kg



13kg



*Proludic*

2007-09-06