

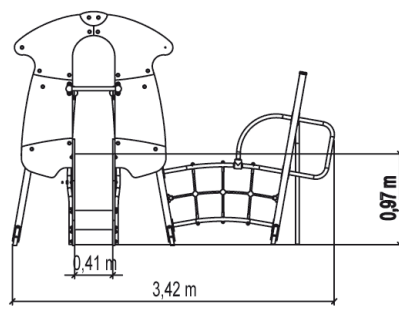
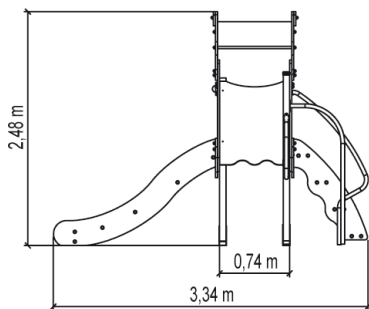


0.5-5

10

1m

1 = 4m 2 = 3,5m 3 = 2,25m



### Play value

sliding



x1

climbing



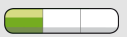
x1

Number of play elements: 2

### Accessibility



Motor disability

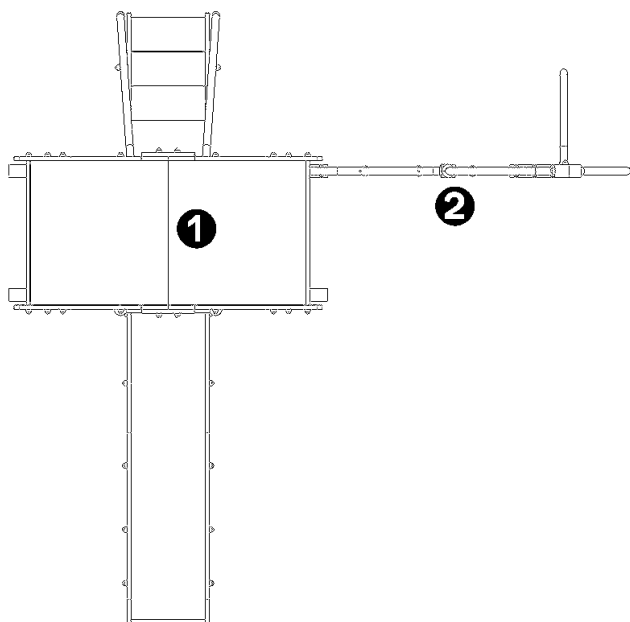


Sensorial Disabilities



Learning Disabilities



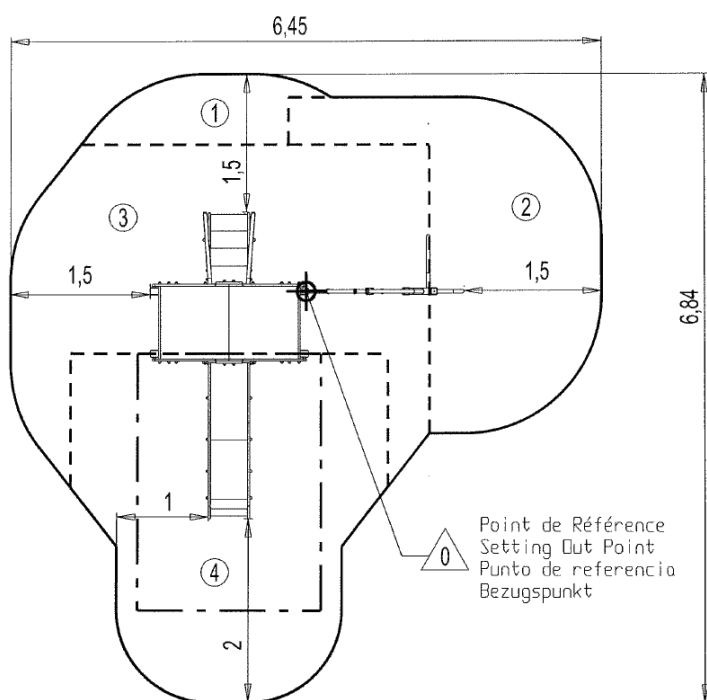


- ① Grand cabin + slide - G3901
- ② The little climbing net - G3918

## Installation of equipment

Impact area =

- Impact area
- Free space



1	<0,6m	1,5m <sup>2</sup>
2	0,86m	7m <sup>2</sup>
3	0,97m	11,5m <sup>2</sup>
4	1m	11m <sup>2</sup>



2



07h00



0.16m<sup>3</sup>



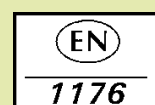
31m<sup>2</sup>



259kg



15kg



*Proludic*

2007-10-22