

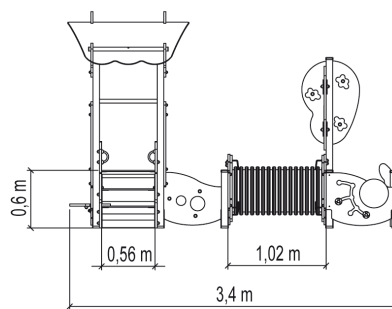
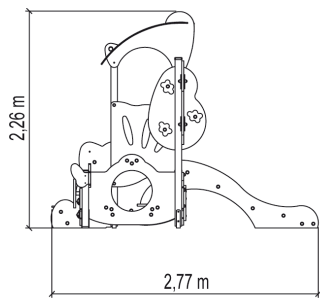


0.5-5

14

1m

1 = 3,41m 2 = 2,76m 3 = 2,25m



Play value

sliding



x1

handling



x2

crawling



x1

climbing



x1

meeting / role play



x1

Number of play elements: 6

Accessibility



Motor disability

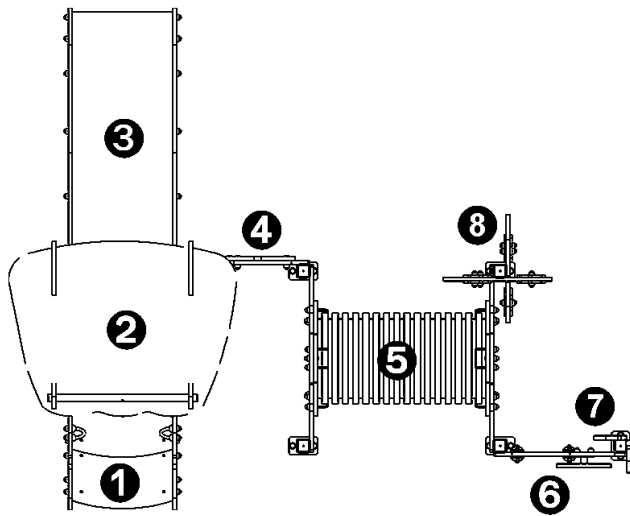


Sensorial Disabilities



Learning Disabilities



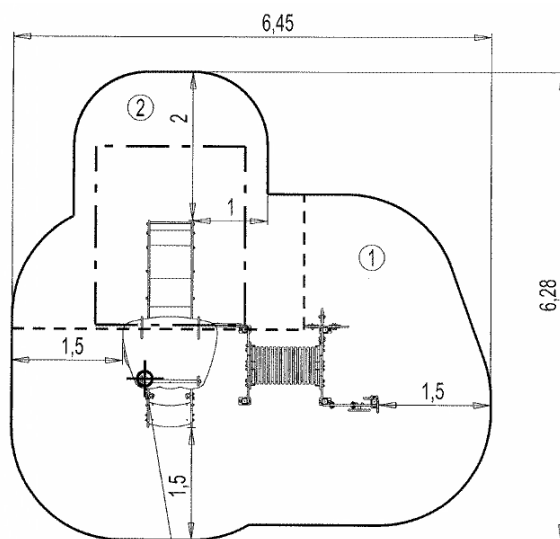


- ❶ Steps - G3926
- ❷ Platform HT: 0.6m - G3924
- ❸ Slide HT: 0.6m - G3930
- ❹ Porthole wall - G3934
- ❺ Tunnel - G3929
- ❻ Disc and maze wall - G3936
- ❼ Butterfly post - G3938
- ❽ Tree post - G3939



Installation of equipment

Impact area =

— Impact area
 - - - Free space



Point de Référence
 Setting Out Point
 Punto de referencia
 Bezugspunkt

| |  |  |
|---|---|---|
| 1 | <0,6m | 20m ² |
| 2 | 1m | 10,5m ² |



2



05h00



0.16m³



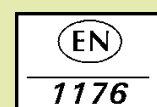
30.5m²



202kg



10kg



2007-11-18