



2+



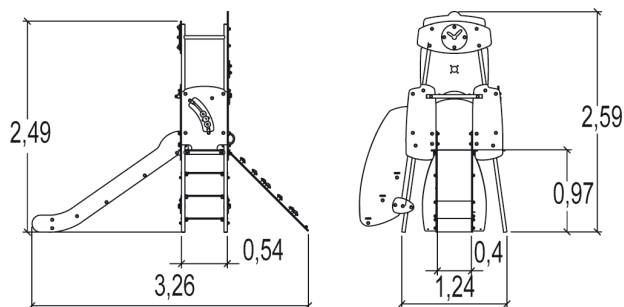
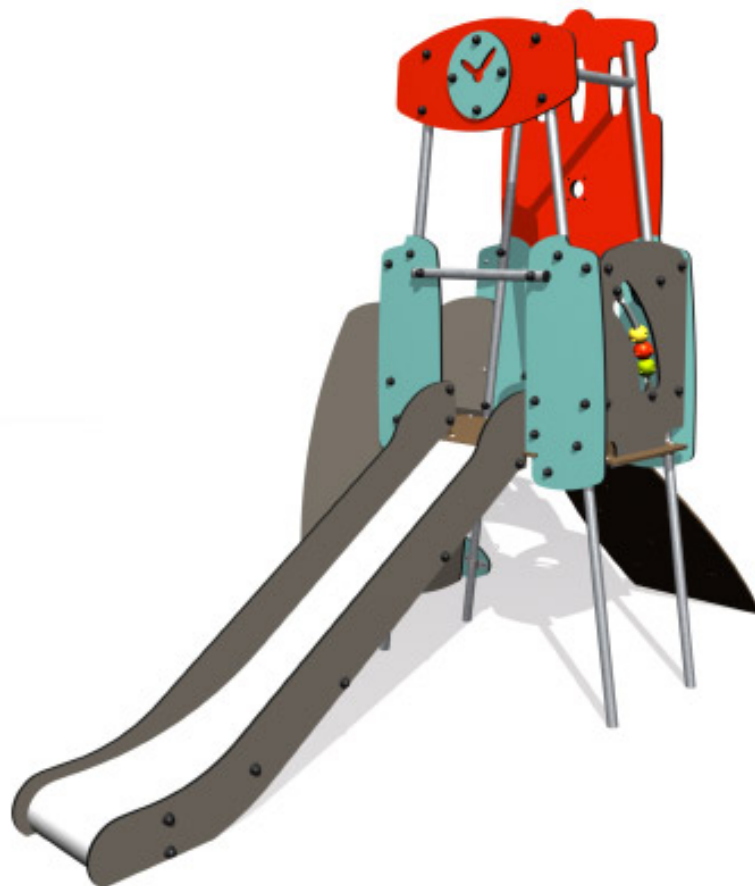
10



1m



1 = 3,25m 2 = 1,55m 3 = 2,6m

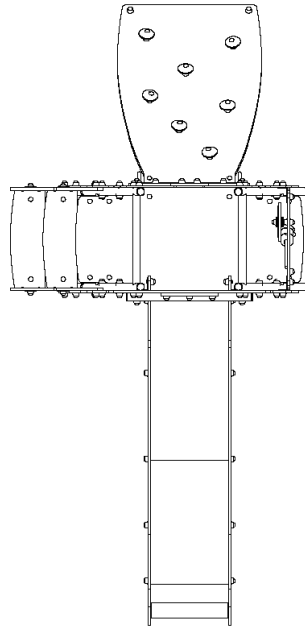


Play value

<p>hiding / resting</p>	<p>meeting / role play</p>	<p>handling</p>	<p>climbing</p>	<p>sliding</p>
-------------------------	----------------------------	-----------------	-----------------	----------------

Accessibility

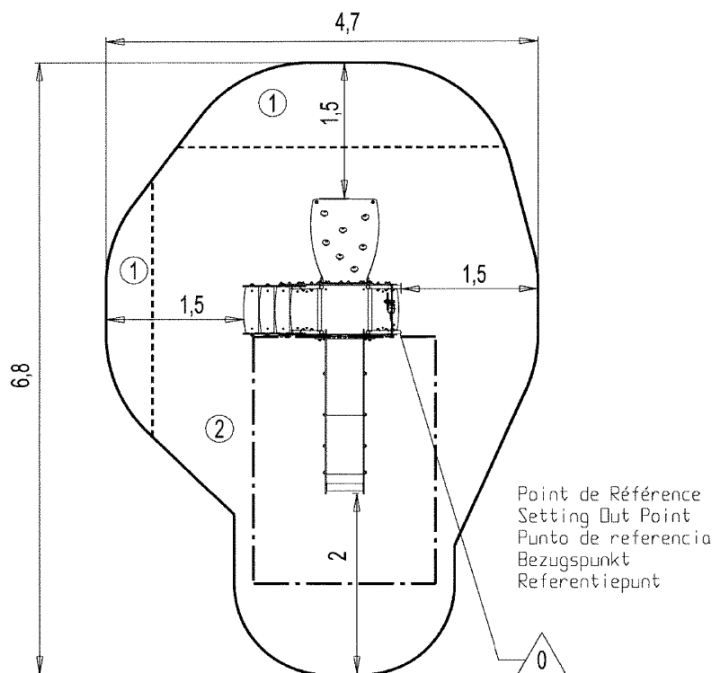
	Motor disability	<input checked="" type="checkbox"/>
	Sensorial Disabilities	<input type="checkbox"/>
	Learning Disabilities	<input checked="" type="checkbox"/>





Installation of equipment

Impact area =

-  Impact area
-  Free space



		
1	0,6m	3,5m ²
2	1m	20m ²



2



00h00



0m³



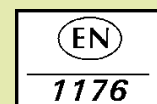
23.5m²



162kg



24kg



Proludic

0000-00-00