



2+



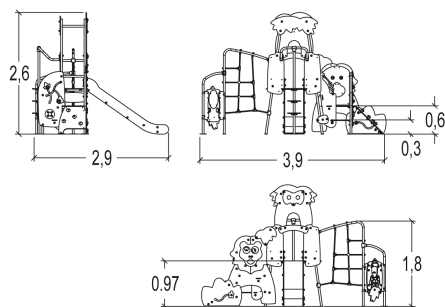
16



1,8m



1 = 3,9m 2 = 2,9m 3 = 2,6m

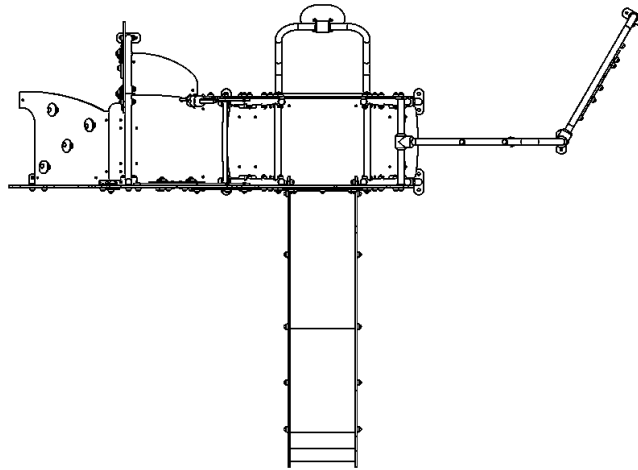


Play value

| | | | | |
|----------|---------------------|---------|------------------|----------|
| climbing | meeting / role play | sliding | hiding / resting | handling |
| | | | | |

Accessibility

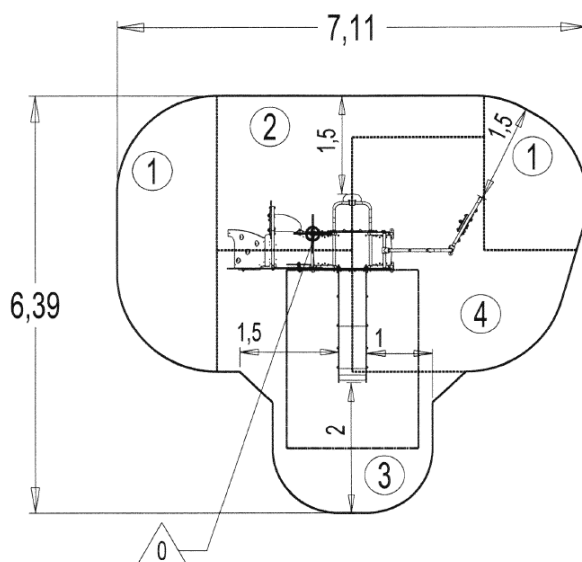
| | | |
|--|------------------------|--------------------------|
| | Motor disability | <input type="checkbox"/> |
| | Sensorial Disabilities | <input type="checkbox"/> |
| | Learning Disabilities | <input type="checkbox"/> |





Installation of equipment

Impact area =

 Impact area
 Free space



Point de Référence
 Setting Out Point
 Punto de referencia
 Bezugspunkt
 Referentiepunt

| |  |  |
|---|---------------------------------------------------------------------------------------|---------------------------------------------------------------------------------------|
| 1 | 0,6m | 8,5m ² |
| 2 | 0,97m | 6,5m ² |
| 3 | 1m | 9m ² |
| 4 | 1,8m | 9m ² |



2



12h00



0.4m³



33m²



255kg



24kg



Proludic

2014-01-07