



2+



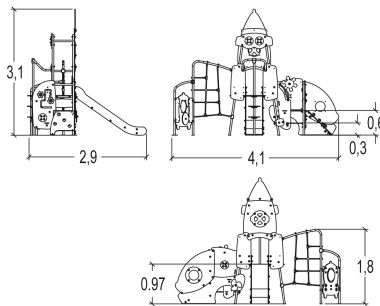
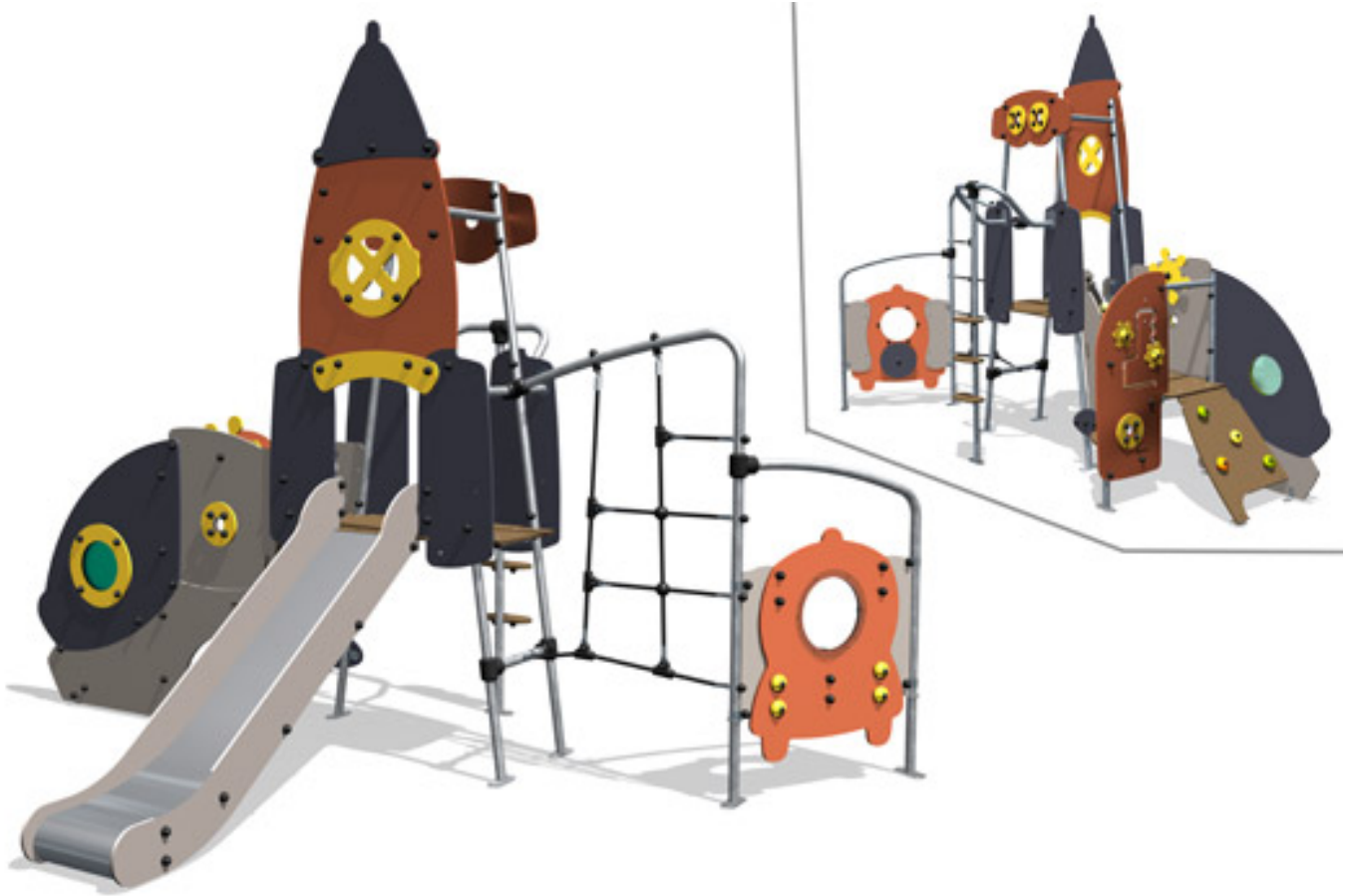
16



1,8m



1 = 4,1m 2 = 2,9m 3 = 3,1m



Play value

climbing



meeting / role play



sliding



hiding / resting



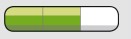
handling



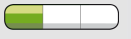
Accessibility



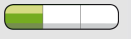
Motor disability

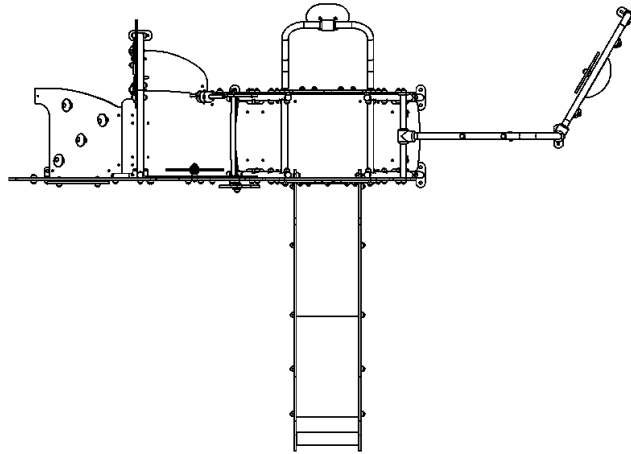


Sensorial Disabilities



Learning Disabilities

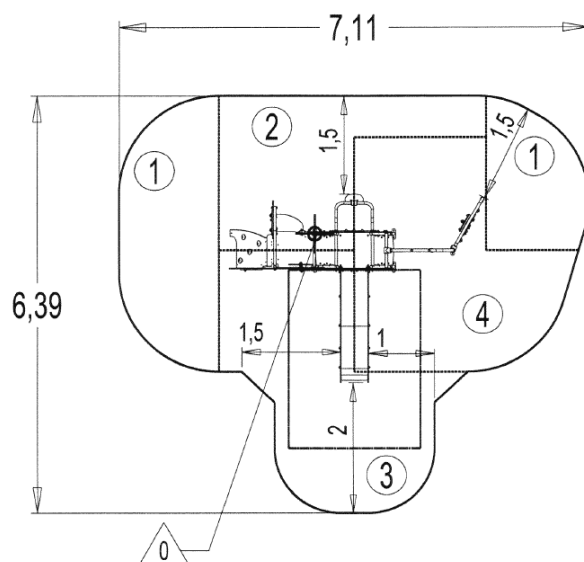






Installation of equipment

Impact area =

 Impact area
 Free space



Point de Référence
 Setting Out Point
 Punto de referencia
 Bezugspunkt
 Referentiepunt

		
1	0,6m	8,5m ²
2	0,97m	6,5m ²
3	1m	9m ²
4	1,8m	9m ²



2



12h00



0.4m³



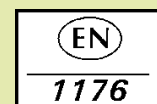
33m²



276kg



24kg



Proludic

2014-01-07