



2+



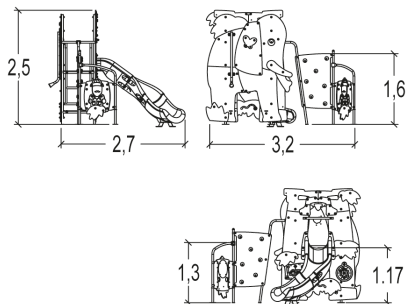
16



1,8m



1 = 3,2m 2 = 2,7m 3 = 2,5m



Play value

climbing



meeting / role play



sliding



hiding / resting



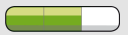
handling



Accessibility



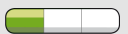
Motor disability

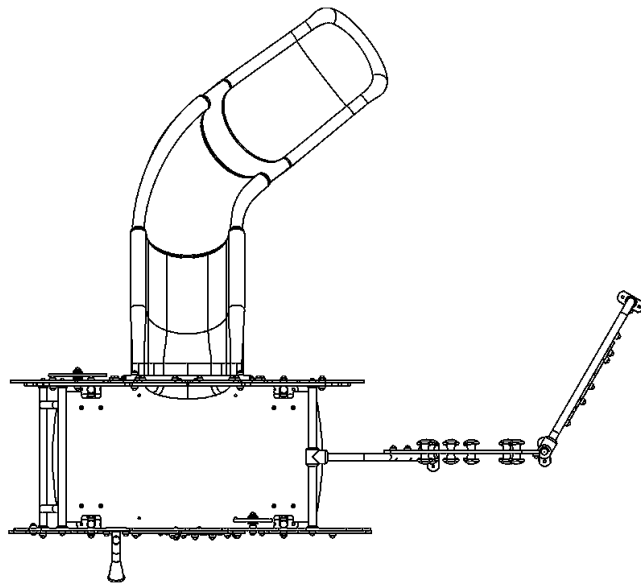


Sensorial Disabilities





Learning Disabilities

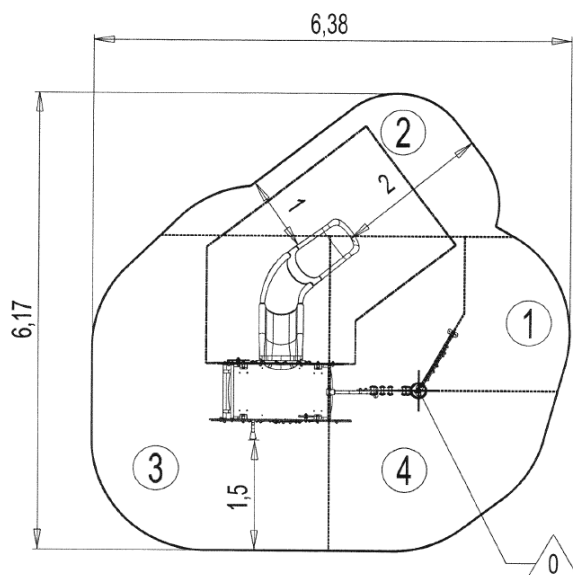






Installation of equipment

Impact area =

-  Impact area
-  Free space



Point de Référence
Setting Out Point
Punto de referencia
Bezugspunkt
Referentiepunt

| |  |  |
|---|---|---|
| 1 | 0,6m | 3m ² |
| 2 | 1m | 5,5m ² |
| 3 | 1,17m | 12,5m ² |
| 4 | 1,8m | 9m ² |



2



00h00



0.3m³



30m²



292kg



20kg



Proludic

2014-01-07