



2+



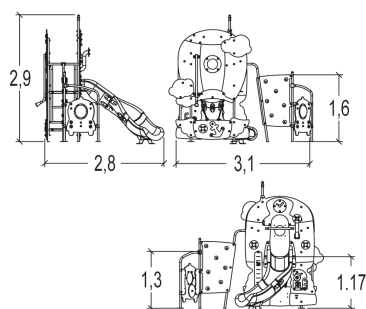
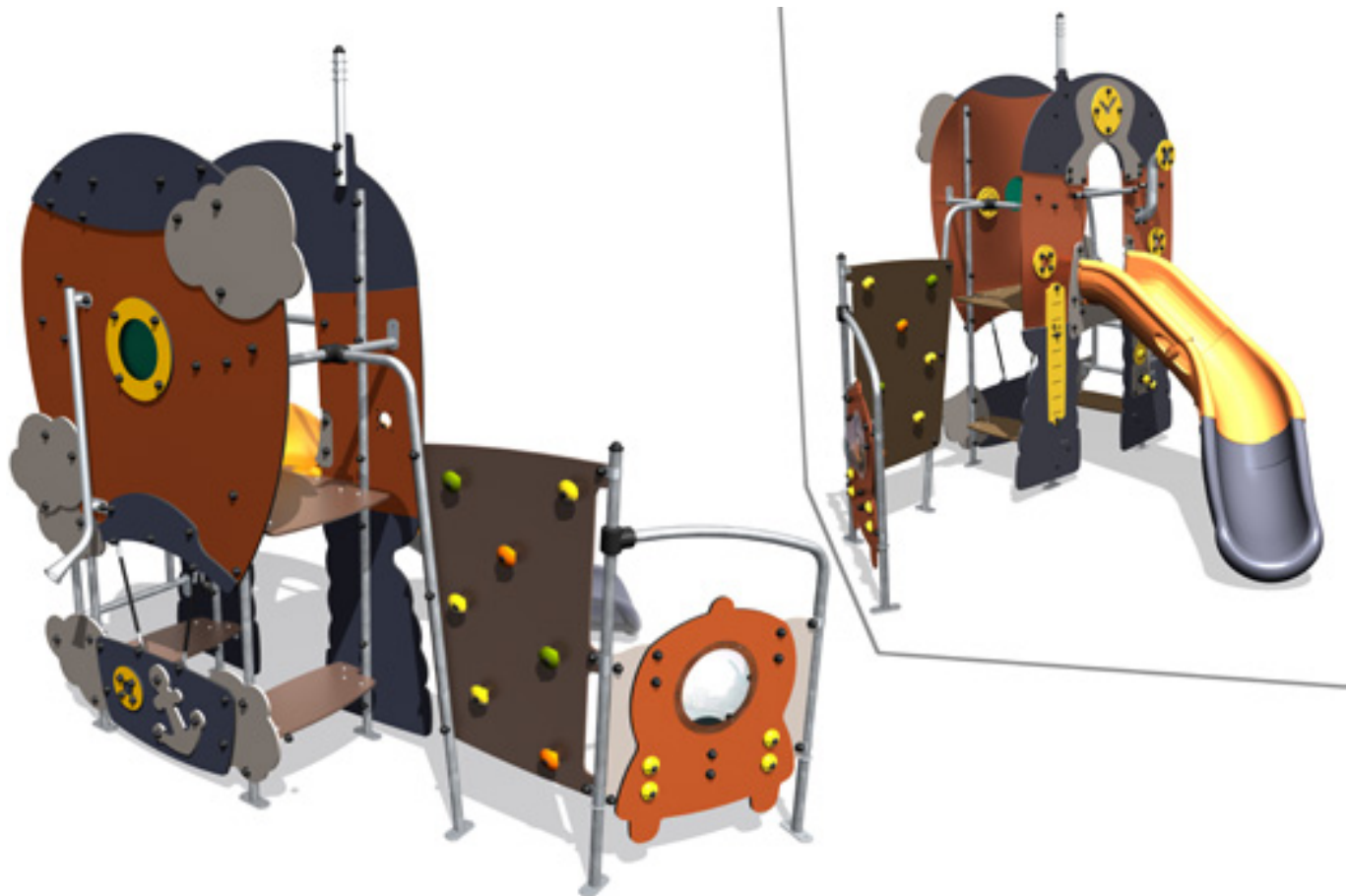
16



1,8m

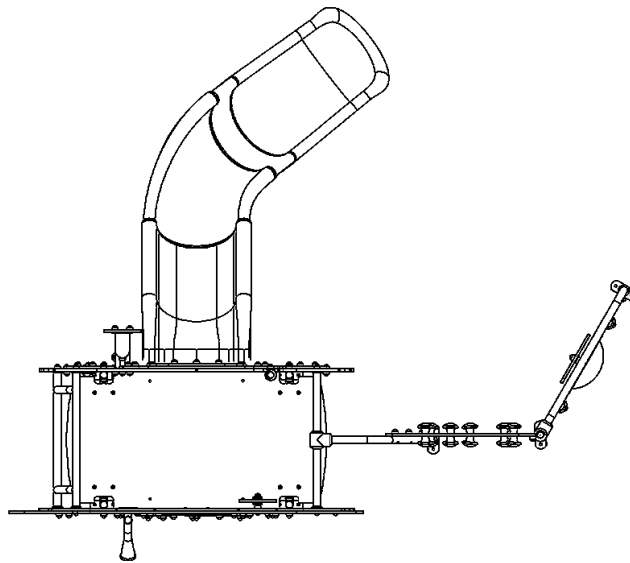


1 = 3,1m 2 = 2,6m 3 = 2,9m



Play value				
climbing	meeting / role play	sliding	hiding / resting	handling

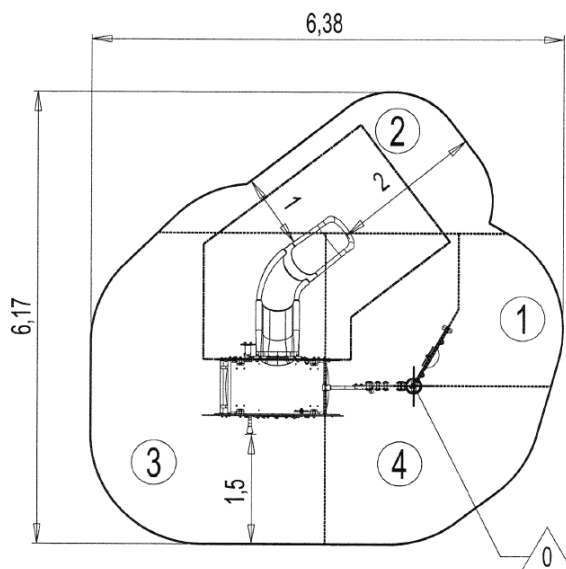
Accessibility	
	Motor disability <input type="checkbox"/>
	Sensorial Disabilities <input type="checkbox"/>
	Learning Disabilites <input type="checkbox"/>





Installation of equipment

Impact area =

 Impact area
 Free space



Point de Référence
 Setting Out Point
 Punto de referencia
 Bezugspunkt
 Referentiepunt

		
1	0,6m	3m ²
2	1m	5,5m ²
3	1,17m	12,5m ²
4	1,8m	9m ²



2



00h00



0.3m³



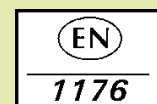
30m²



375kg



24kg



Proludic

2014-01-07