



2+



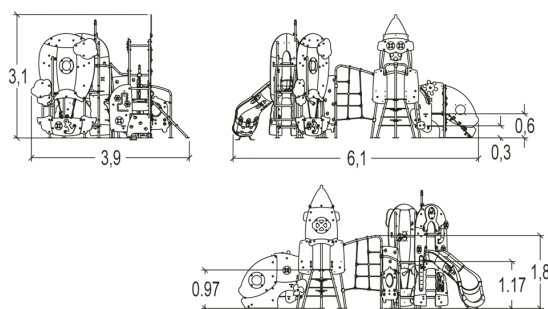
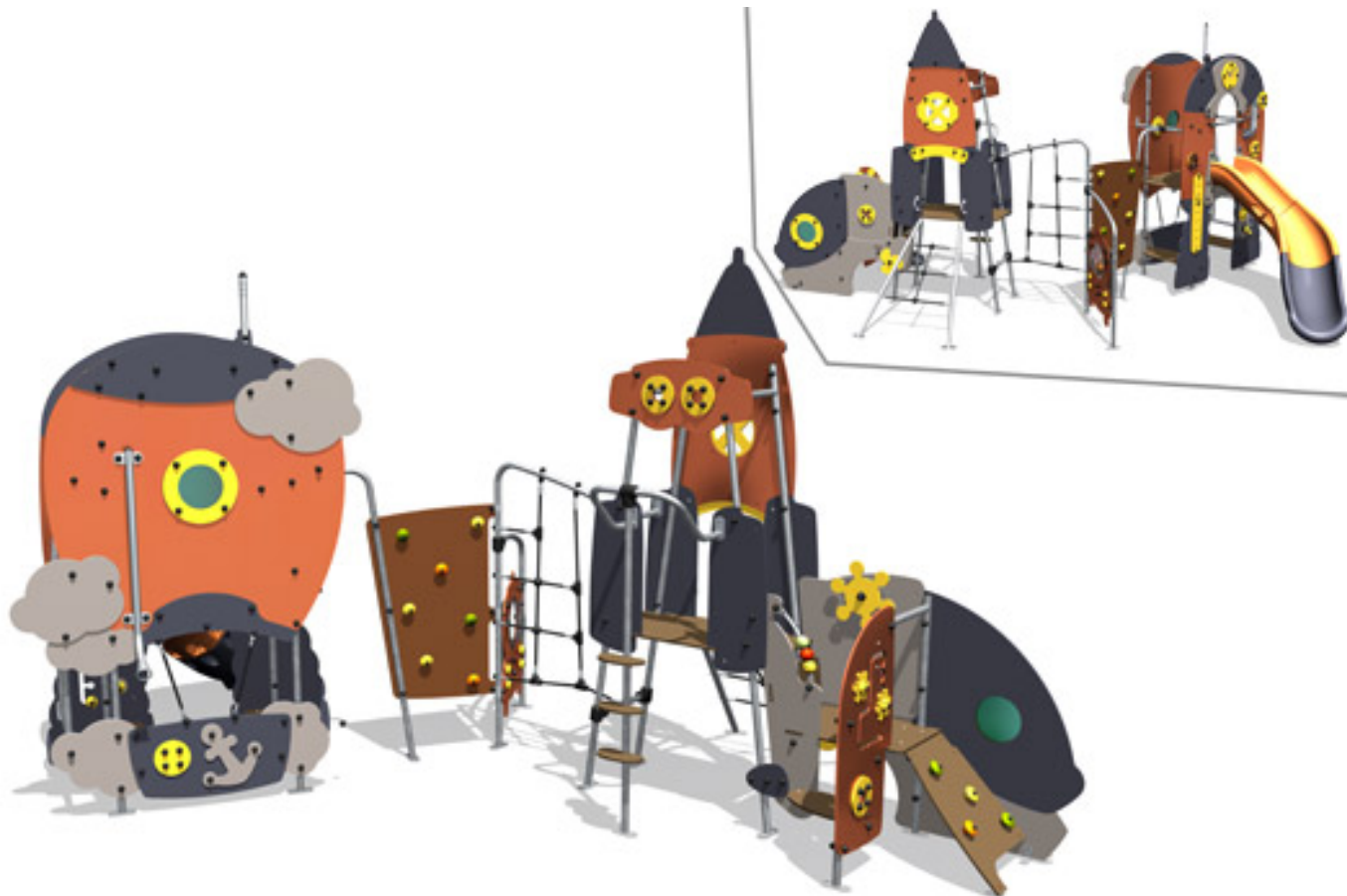
25



1,8m



1 = 6,1m 2 = 3,9m 3 = 3,1m



## Play value

climbing



meeting / role play



sliding



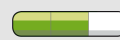
hiding / resting



## Accessibility



Motor disability

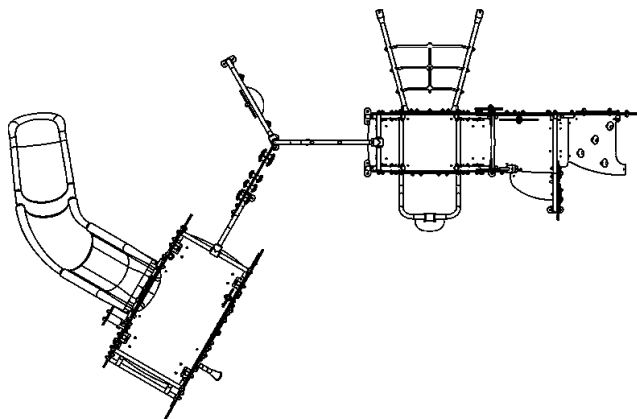


Sensorial Disabilities



Learning Disabilities

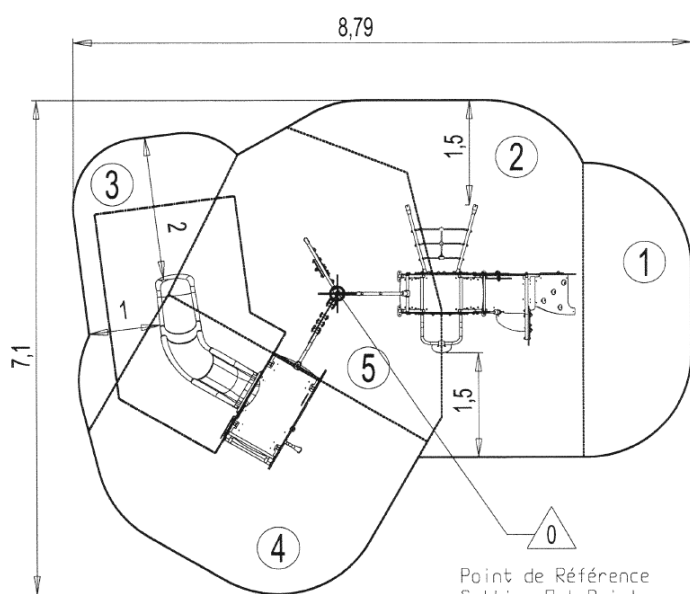




## Installation of equipment

Impact area =

- Impact area
- Free space



Point de Référence  
Setting Out Point  
Punto de referencia  
Bezugspunkt  
Referentiepunt

1	0,6m	5,5m <sup>2</sup>
2	0,97m	12,5m <sup>2</sup>
3	1m	5,5m <sup>2</sup>
4	1,17m	12,5m <sup>2</sup>
5	1,8m	11m <sup>2</sup>



3



00h00



0.5m<sup>3</sup>



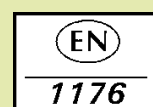
47m<sup>2</sup>



600kg



24kg



*Proludic*

2014-01-07