



3+



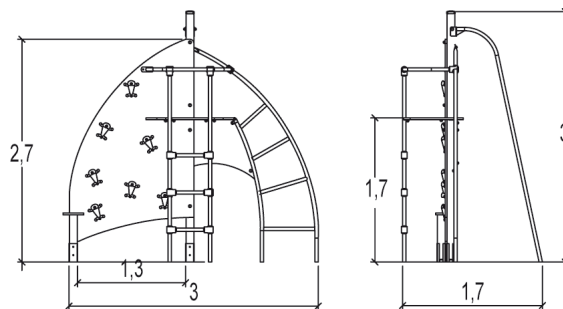
11



2,7m



1 = 3m 2 = 1,85m 3 = 3m



### Play value

climbing



x1

sliding



x1

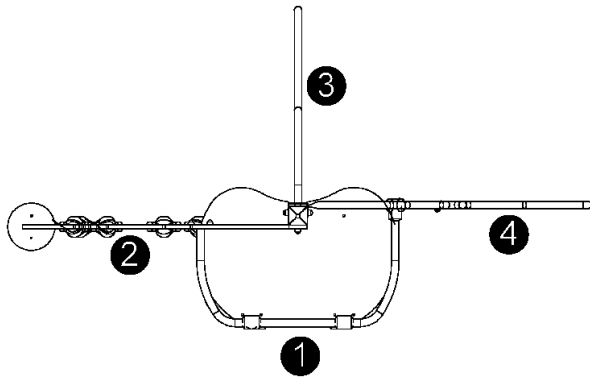
climbing



x2

Number of play elements: 4

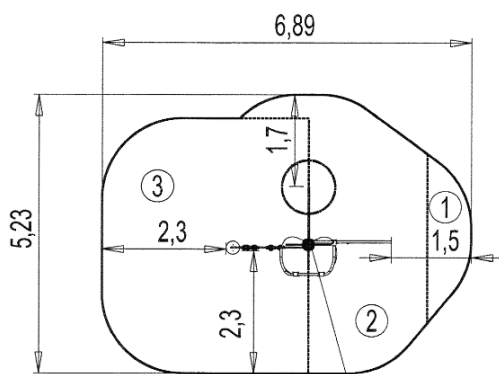
- ① Ladder
- ② Climbing wall
- ③ Fireman's pole
- ④ Arched ladder





## Installation of equipment

Impact area =

-  Impact area
-  Free space



Point de Référence  
Setting Out Point  
Punto de referencia  
Bezugspunkt  
Referentiepunt

		
1	0,6m	2m <sup>2</sup>
2	1,8m	11m <sup>2</sup>
3	2,7m	18m <sup>2</sup>



2



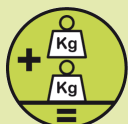
06h15



0.3m<sup>3</sup>



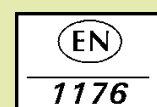
31m<sup>2</sup>



135kg



39kg



*Proludic*

2012-11-29