



7+



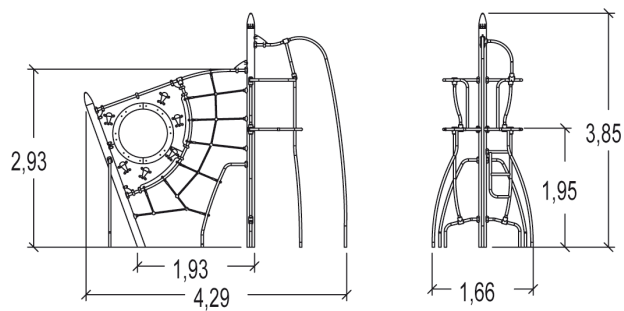
11



2,9m



1 = 4,3m 2 = 1,7m 3 = 3,9m



## Play value

climbing

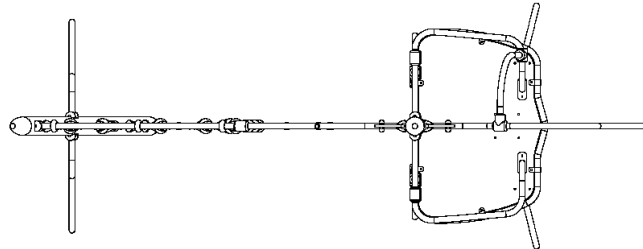


sliding



hanging

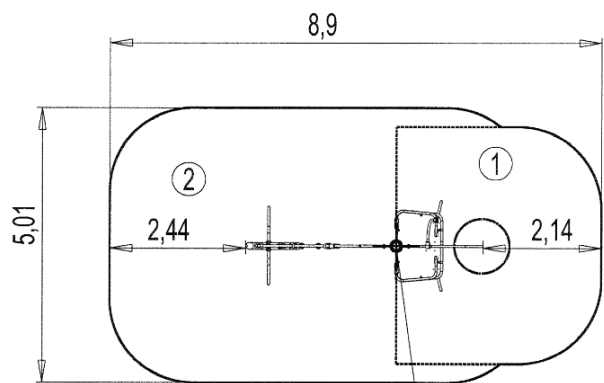




## Installation of equipment

Impact area =

 Impact area  
 Free space



Point de Référence  
 Setting Out Point  
 Punto de referencia  
 Bezugspunkt  
 Referentiepunt



1	2,45m	15,5m <sup>2</sup>
2	2,9m	26,5m <sup>2</sup>



2



06h15



0.32m<sup>3</sup>



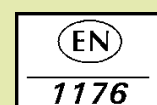
42m<sup>2</sup>



215kg



30kg



2012-11-29