



2+



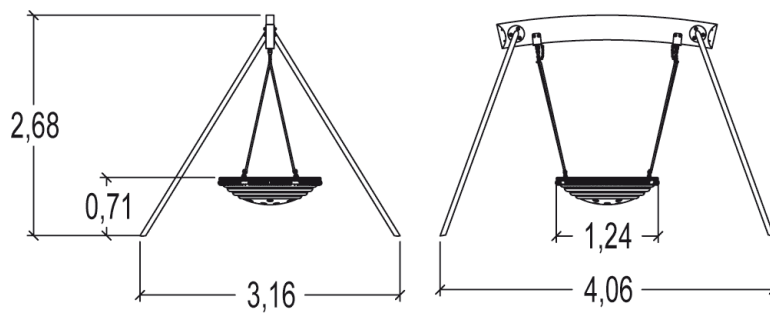
5



2m



1 = 3,76m 2 = 3,16m 3 = 2,68m



## Play value

swinging



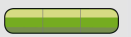
meeting / role play



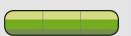
## Accessibility



Motor disability

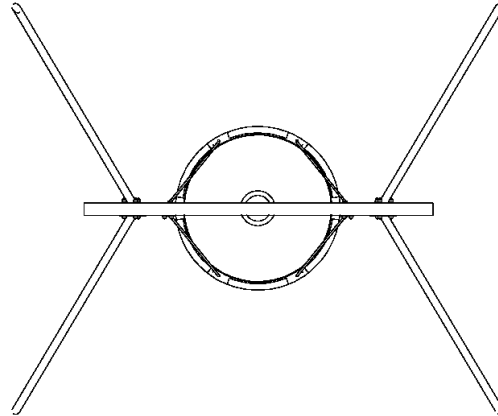


Sensorial Disabilities



Learning Disabilities

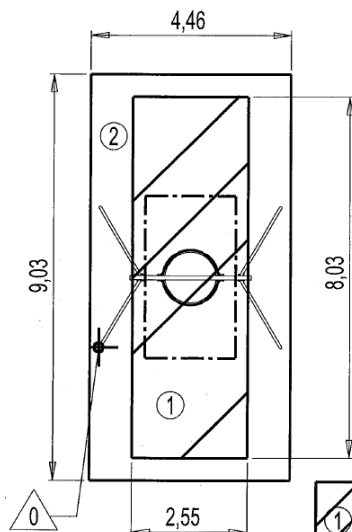




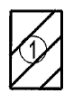
## Installation of equipment

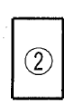
Impact area =



-  Impact area
-  Free space



Point de Référence  
Setting Out Point  
Punto de referencia  
Bezugspunkt

 Zone d'Impact Sol souple  
Impact Area Wetpour  
Area de Impacto  
Fallraum

 Zone d'Impact Sol fluent  
Impact Area Loose particle material  
Arenero  
Loses Bodenmaterial

		
1	2m	20,5m <sup>2</sup>
2	2m	40,5m <sup>2</sup>



2



08h00



1.5m<sup>3</sup>



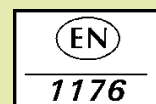
20.5m<sup>2</sup>



167kg



42kg



*Proludic*

2012-11-07