



2+



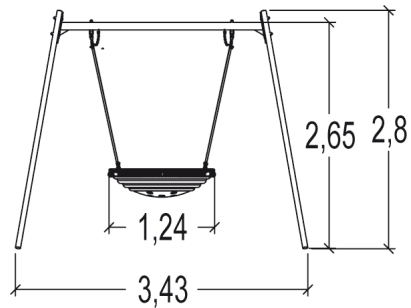
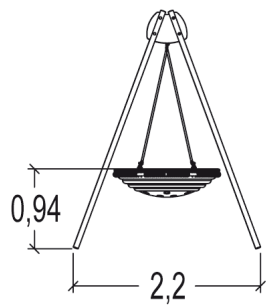
5



1,55m



1 = 3,43m 2 = 2,2m 3 = 2,6m



## Play value

swinging



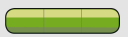
meeting / role play



## Accessibility



Motor disability

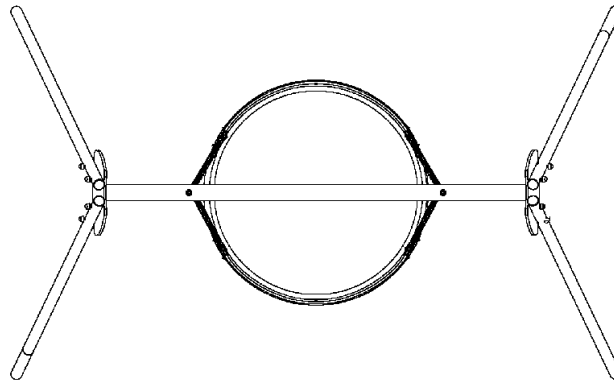


Sensorial Disabilities



Learning Disabilities

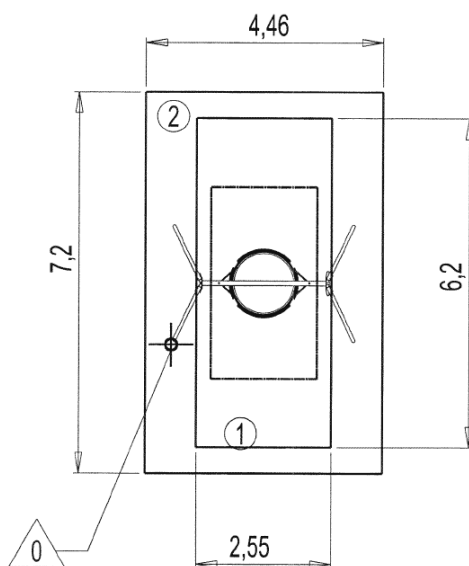






## Installation of equipment

Impact area =

 Impact area  
 Free space



Point de Référence  
 Setting Out Point  
 Punto de referencia  
 Bezugspunkt  
 Referentiepunt

		
1	1,55m	16m <sup>2</sup>
2	1,55m	33m <sup>2</sup>



2



08h00



0.26m<sup>3</sup>



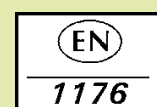
16m<sup>2</sup>



112kg



31kg



*Proludic*

2012-11-07